

CHERY T19 Labour Time Manual 2020

FOREWORD

This labour time manual has been prepared to provide standard work time for the T19 models when performing repairs under conditions prescribed by Chery.

This manual only applies to models listed below:

T19 1.5L+CVT

T19 1.5L+MT

Explanations of the Labour Times, conditions and how to use this manual are provided. Please read these explanations thoroughly.

The Labour Times are subject to change at any time by Chery, based on time studies by Chery relating to improved methods, techniques or equipment.

All rights reserved. Any unit or individual shall not reproduce or copy this manual in any form or by any means, or transmit it on the network by any form for any purpose without written permission of Chery Automobile Co., Ltd.

TABLE OF CONTENTS

HOW TO USE THIS MANUAL	01
POWER ASSY-POWER ACCESSORY	02
TRANSMISSION SHIFT MECHANISM	03
CHASSIS	04
ELECTRICAL	05
INTERIOR	06
EXTERIOR	07
MAINTENANCE	08

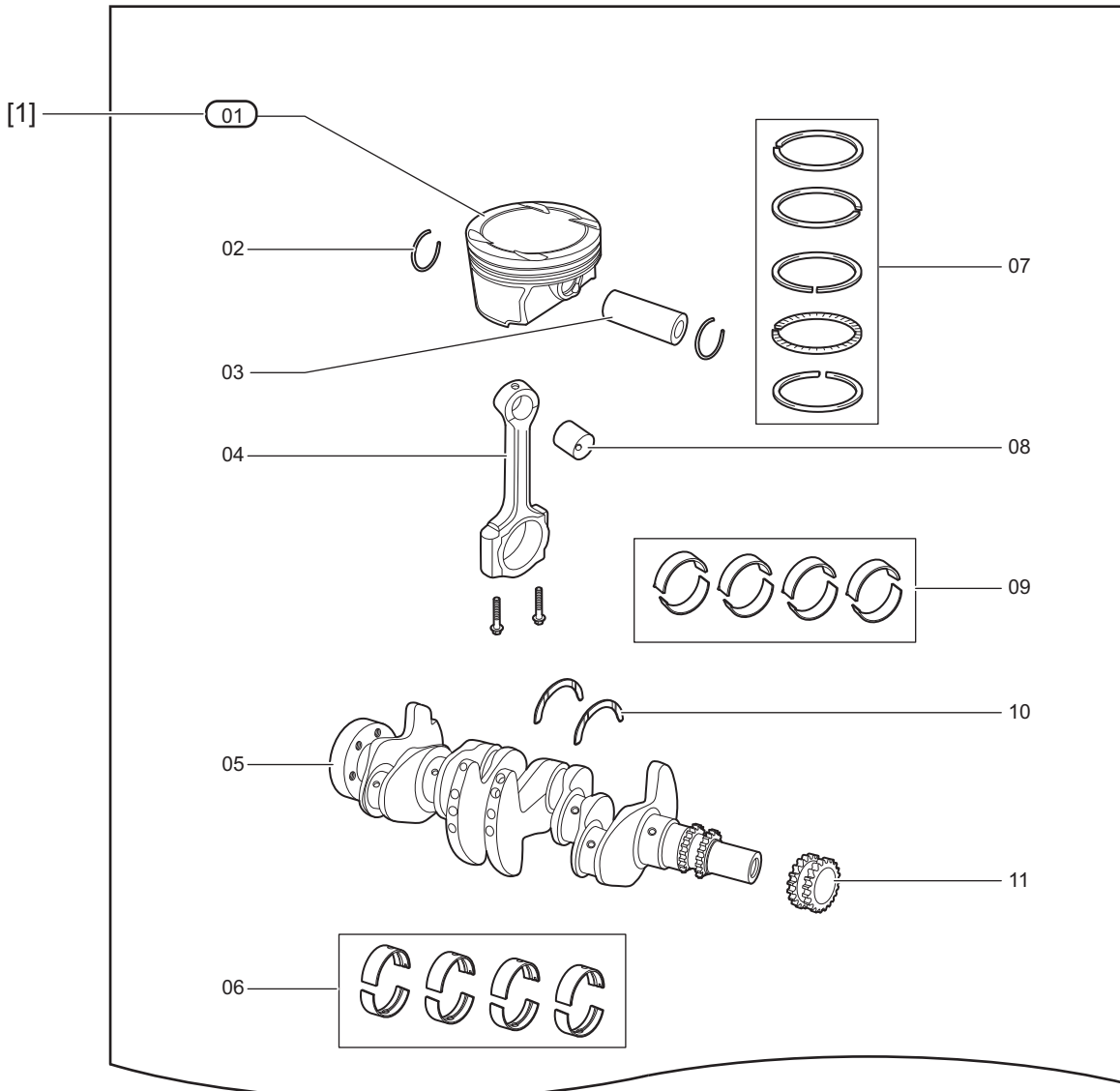
HOW TO USE THIS MANUAL

General Information

The following illustrations are provided to show how to read this manual. The illustrations shown here are examples only.

Example 1

01



[1]: Part Sequence No.

Use the part sequence No. to find the station number in the next page as soon as possible.

Example 2

No.	Part No.	Station No.	Station Name	Labour Time
[2] (01)	D4G15B-1009031	T116DM10090313701	Replace oil dipstick	10
02	D4G15B-1009032AB	T116DM10090323751	Replace oil dipstick tube	10
		Ex: T116DM10090102701	Remove and reinstall oil pan assy	120
03	477F-1009021	T116DM10090213751	Replace gasket-oil pan	5
		Ex: T116DM10090102701	Remove and reinstall oil pan assy	120
04	477F-1009012	T116DM10090122751	Remove and reinstall oil deflector-oil pan	10
		Ex: T116DM10090102701	Remove and reinstall oil pan assy	120
05	477F-1009010	T116DM10090102701	Remove and reinstall oil pan assy	120
[3] D4G15-1009010				
06	480-1002017	T116DM10020172701	Remove and reinstall cup plug	20
07	484J-1009014	T116DM10090142701	Remove and reinstall oil drain plug	10
[4]				
08	480-1010021	T116DM10100213751	Replace gasket-connecting flange	10
		Ex: T116DM10090102701	Remove and reinstall oil pan assy	120
09	480-1010010	T116DM10100103751	Replace oil strainer assy	10
[5]		Ex: T116DM10090102701	Remove and reinstall oil pan assy	120

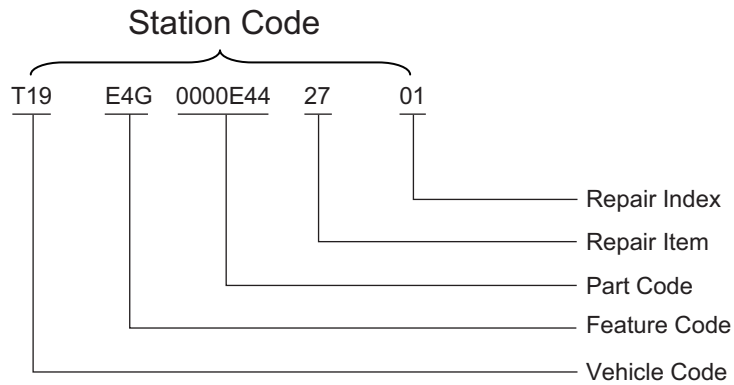
[2]: Station Sequence No.

Use the station sequence No. to find the corresponding part in the previous page as soon as possible.

[3]: Station Code

The station code consists of the following:

Example 3



- **Vehicle Code**
Vehicle code uses 3-digit number or letter to indicate different models manufactured by Chery.
Vehicle code of T19
- **Feature Code**
Feature code uses 3-digit number or letter to indicate part assemblies such as engine, transmission etc. that manufactured, outsourcing manufactured and purchased by Chery. Except engines and transmissions, the code "KKK" would be used to indicate other parts and components.

Feature Code Chart

Feature Code	Component	Feature Code	Component
E4G	E4G15C	C18/M17	CVT18/517MH

- **Part Code**
Part code is made up of 7-digit, which comes from Part No. to indicate a specific part. If Part No. is less than 7-digit, "0" will be filled in.

01 - HOW TO USE THIS MANUAL

- Repair Item

Repair item is made up of 2-digit and it is used to determine the repair item to be performed.

Repair Item Chart:

Code	Description	Code	Description	Code	Description	Code	Description
10	Check	24	Noise Elimination	43	Turning	65	Rework
11	Measurement	26	Installation	44	Reaming	70	Sealing
12	Check & Adjustment	27	Removal & Installation	45	Grinding	73	Manufacturing
13	Adjustment	28	Removal	46	Leveling	75	Welding
14	Power Check	30	Additional Installation	47	Chambering	78	Press out
15	Power Check & Adjustment	31	Modification	48	Tapping	79	Straightening
16	Maintenance	35	Disassembly & Check	49	Chambering & Tapping	80	Balancing
17	Cleaning	36	Disassembly & Reassembly	50	Correction	90	Refinishing Fore & After Painting
20	Draining	37	Replacement	52	Pore filling	91	Polishing
21	Adding	38	Matching	55	Lubricating	92	Painting
22	Draining and Filling	40	Repair	58	Loading up	95	Paint Repair
23	Vacuum and Filling	42	Drilling	60	Screwing up	97	Word Spraying
98	Sticker						

- Repair Index

It is made up of two digits showing the repair complexity, quantity of repair items, primary operations and secondary operations.

The range between "00-49" represents primary operations, which can be conducted independently. The range between "50-99" represents secondary operations, which cannot be conducted independently and need to be combined with corresponding primary operations to finish the repair work.

The complexity of repair item is indicated by the first digit ranging from 0 to 9, among which, based on the complexity of the repair, 0-4 for primary operations and 5-9 for secondary operations.

The quantity of the item to be repaired is indicated by the second digit. "1" indicates there is one item to be repaired for a car; "2" is two items, and so on. As long as the items to be repaired exceed nine, the digit "9" is used. In case of the repair item is about some function system instead of a component or a part, the digit "0" is used.

[4]: Repair Instructions

Briefly explain repair items in the form of text.

[5]: Part No.**[6]: Additional Station**

Ex is the abbreviation of Exclude.

Additional station indicates the repair station needs to be performed before proceeding to the next repair station. When calculating labour time, add the labour time of additional station.

Abbreviations

Abbreviations	Meaning	Abbreviations	Meaning
A/C	Air Conditioning	LWR	Lower
ABS	Anti-Lock Brake System	MD	Middle
ASSY	Assembly	MT	Manual Transmission
BCM	Body Control Module	OTR	Outer
CD	Compact Disc	PCV	Positive Crankcase Ventilation
CVT	Continuously Variable Transmission	RH	Right
FR	Front	RR	Rear
HVAC	Heating, Ventilation and Air Conditioning	SD	Side
INR	Inner	UPR	Upper
LH	Left	W/	With
W/O	Without		

[7]: Labour Time Standard

Labour time standard: The time to a series of activities (including vehicle reception, malfunctions judgment, parts procurement, servicing & operating, vehicle delivery, etc.) is included.

For labour time, every 100 units is one hour.

Calculation of labour time:

NOTE

- When calculating working hours, only repairing time of the primary operations would be given directly. In case of both primary and secondary operations are co-existed, the working hours are calculated by adding the time amount for secondary operations to that for primary operations.

- w/o Additional Station

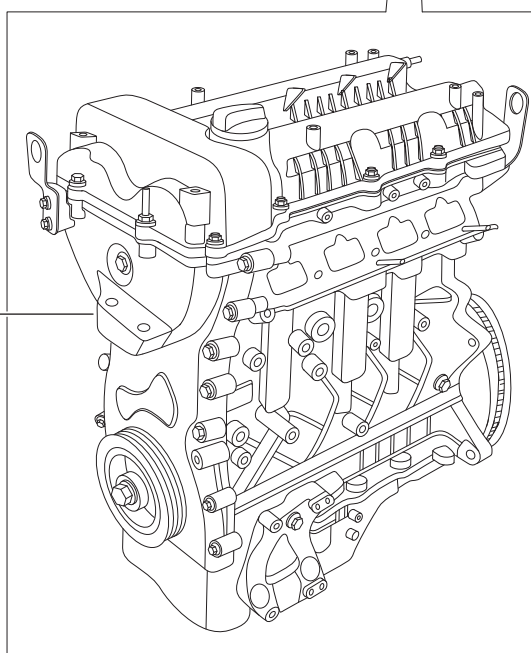
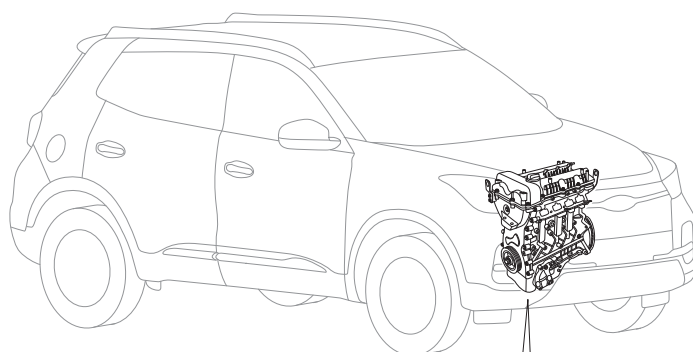
As shown in the illustration, the labour time is 20 if there is no additional station.

- w/ Additional Station

As shown in the illustration, if there is additional station, calculation of labour time is $10 + 120 = 130$.

POWER ASSY-POWER ACCESSORY

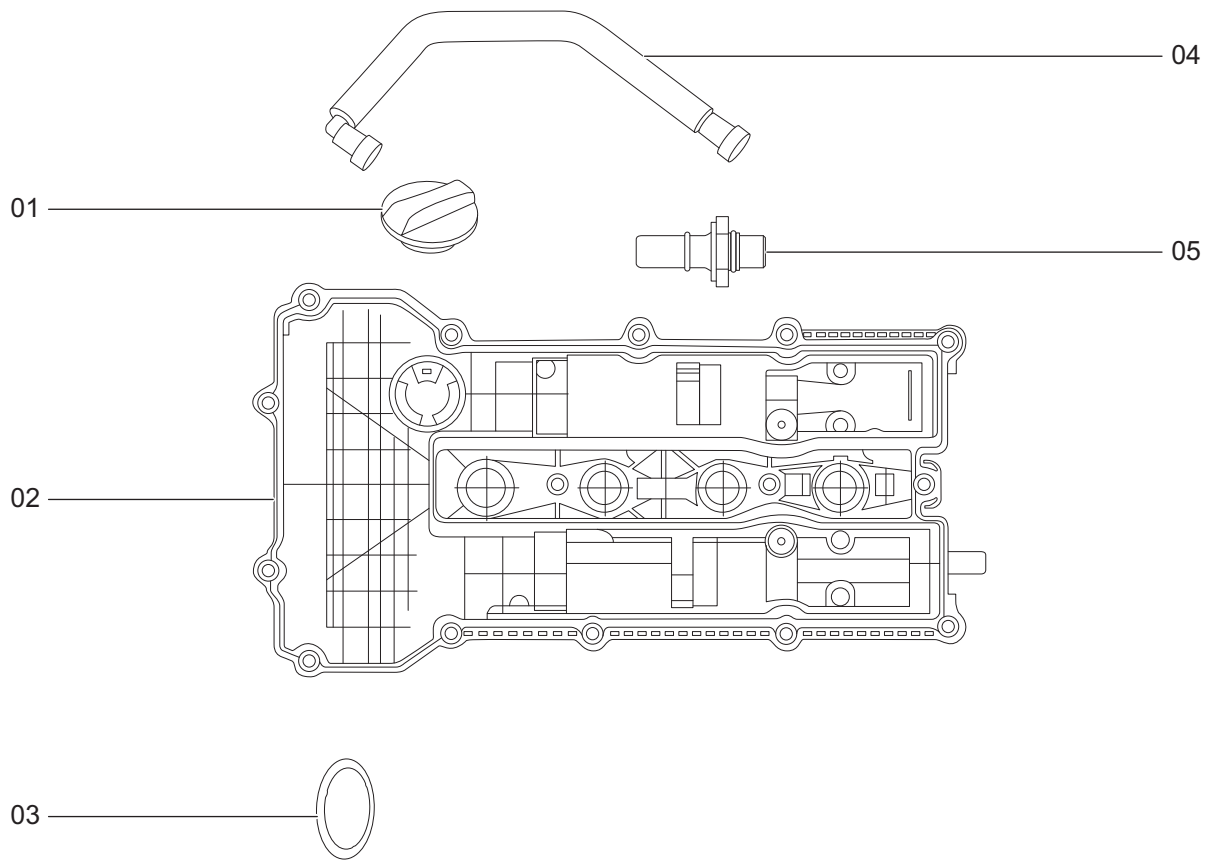
E4G15C engine	02-2
Valve chamber cover.....	02-4
Cylinder head.....	02-6
Cylinder block, oil pump, flywheel	02-14
Crankshaft connecting rod mechanism.....	02-18
Timing, gear train	02-26
Intake/exhaust system, fuel rail	02-28
Ignition system, electrical control component.....	02-30
Cooling system.....	02-32
High temperature Cooling system.....	02-34
Exhaust system	02-36
Air filter system	02-38



01

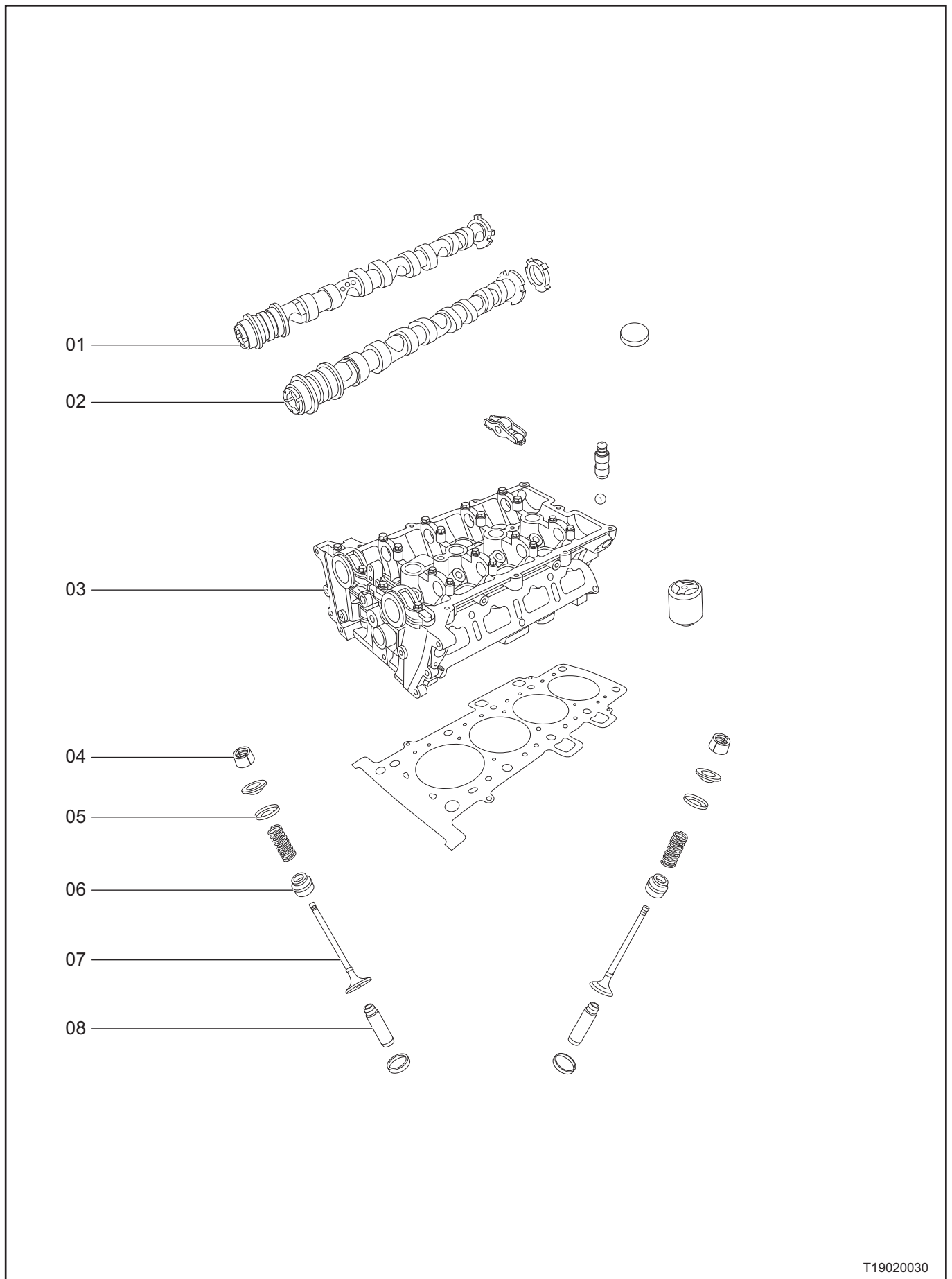
T19020010

No.	Part No.	Station No.	Station Name	Labour Time
01	DT1-BJ0000E85AA	T19E4G0000E852701	Remove and reinstall E4G15C engine assy	600
		T19E4G0000E853651	Disassemble and reassemble E4G15C engine assy	350
		Ex: T19E4G0000E852701	Remove and reinstall E4G15C engine assy	600
	DT1-BJ0000E84AA	T19E4G0000E842701	Remove and reinstall E4G15C engine assy	600
		T19E4G0000E843651	Disassemble and reassemble E4G15C engine assy	350
		Ex: T19E4G0000E842701	Remove and reinstall E4G15C engine assy	600



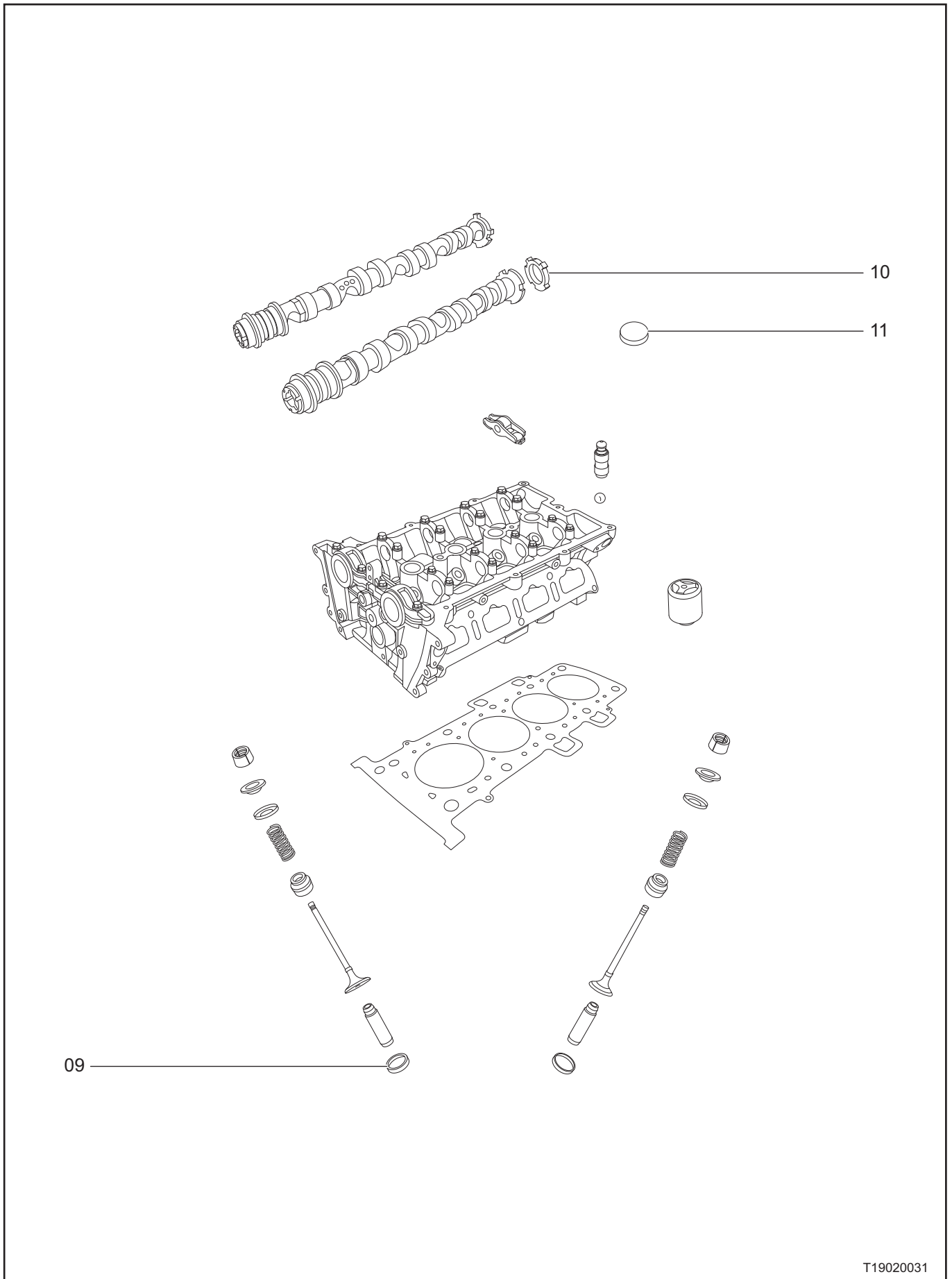
T19020020

No.	Part No.	Station No.	Station Name	Labour Time
01	473F-1003050	T19E4G10030502701	Remove and reinstall oil filler cap assy	10
02	E4T15C-1003030	T19E4G10030302701	Remove and reinstall valve chamber cover assy	60
03	E4G16-1005071	T19E4G10050712701	Remove and reinstall friction plate - crankshaft	60
04	E4G15C-1014023	T19E4G10140232701	Remove and reinstall hose - intake manifold	20
05	E4G15C-1014040	T19E4G10140402701	Remove and reinstall pcv valve	30



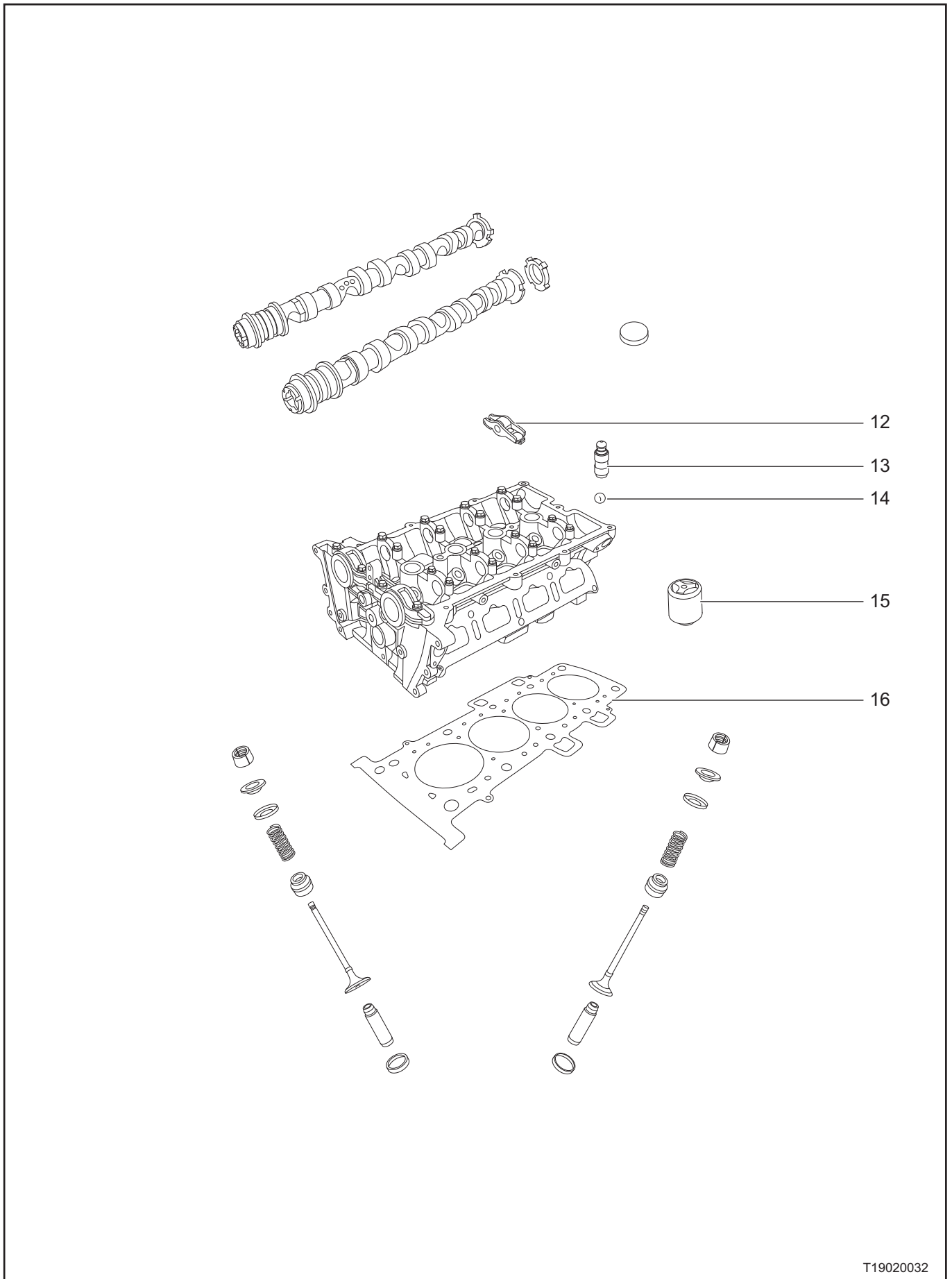
T19020030

No.	Part No.	Station No.	Station Name	Labour Time
01	E4G16-1006030BA	T19E4G10060302751	Remove and reinstall exhaust camshaft assy	30
		Ex: T19E4G10060602751	Remove and reinstall exhaust camshaft phaser assy	20
		Ex: T19E4G10070802751	Remove and reinstall timing chain assy	40
		Ex: T19E4G10070832701	Remove and reinstall timing chain cover	120
02	E4G16-1006010BA	T19E4G10060102751	Remove and reinstall intake camshaft assy	30
		Ex: T19E4G10060402751	Remove and reinstall intake camshaft phaser assy	20
		Ex: T19E4G10070802751	Remove and reinstall timing chain assy	40
		Ex: T19E4G10070832701	Remove and reinstall timing chain cover	120
03	E4G15B-1003010	T19E4G10030102751	Remove and reinstall E4G15C cylinder head assy	160
		Ex: T19E4G10070802751	Remove and reinstall timing chain assy	40
		Ex: T19E4G10070832701	Remove and reinstall timing chain cover	120
		T19E4G10030103651	Disassemble and reassemble E4G15C cylinder head assy	160
		Ex: T19E4G10030102751	Remove and reinstall E4G15C cylinder head assy	160
		Ex: T19E4G10070802751	Remove and reinstall timing chain assy	40
		Ex: T19E4G10070832701	Remove and reinstall timing chain cover	120
04	481H-1007018	T19E4G10070182751	Remove and reinstall valve lock block	0
		Ex: T19E4G0000E843651	Disassemble and reassemble E4G15C engine assy	350
		Ex: T19E4G0000E842701	Remove and reinstall E4G15C engine assy	600
05	477F-1007013	T19E4G10070132751	Remove and reinstall valve spring lwr seat	0
		Ex: T19E4G0000E843651	Disassemble and reassemble E4G15C engine assy	350
		Ex: T19E4G0000E842701	Remove and reinstall E4G15C engine assy	600
06	481H-1007020	T19E4G10070202751	Remove and reinstall valve oil seal	0
		Ex: T19E4G0000E843651	Disassemble and reassemble E4G15C engine assy	350
		Ex: T19E4G0000E842701	Remove and reinstall E4G15C engine assy	600
07	E4G16-1007011	T19E4G10070112751	Remove and reinstall 1-8 intake valve	0
		Ex: T19E4G0000E843651	Disassemble and reassemble E4G15C engine assy	350
		Ex: T19E4G0000E842701	Remove and reinstall E4G15C engine assy	600
08	E4T15B-1003013	T19E4G10030132751	Remove and reinstall 1-8 valve guide	10
		Ex: T19E4G0000E843651	Disassemble and reassemble E4G15C engine assy	350
		Ex: T19E4G0000E842701	Remove and reinstall E4G15C engine assy	600



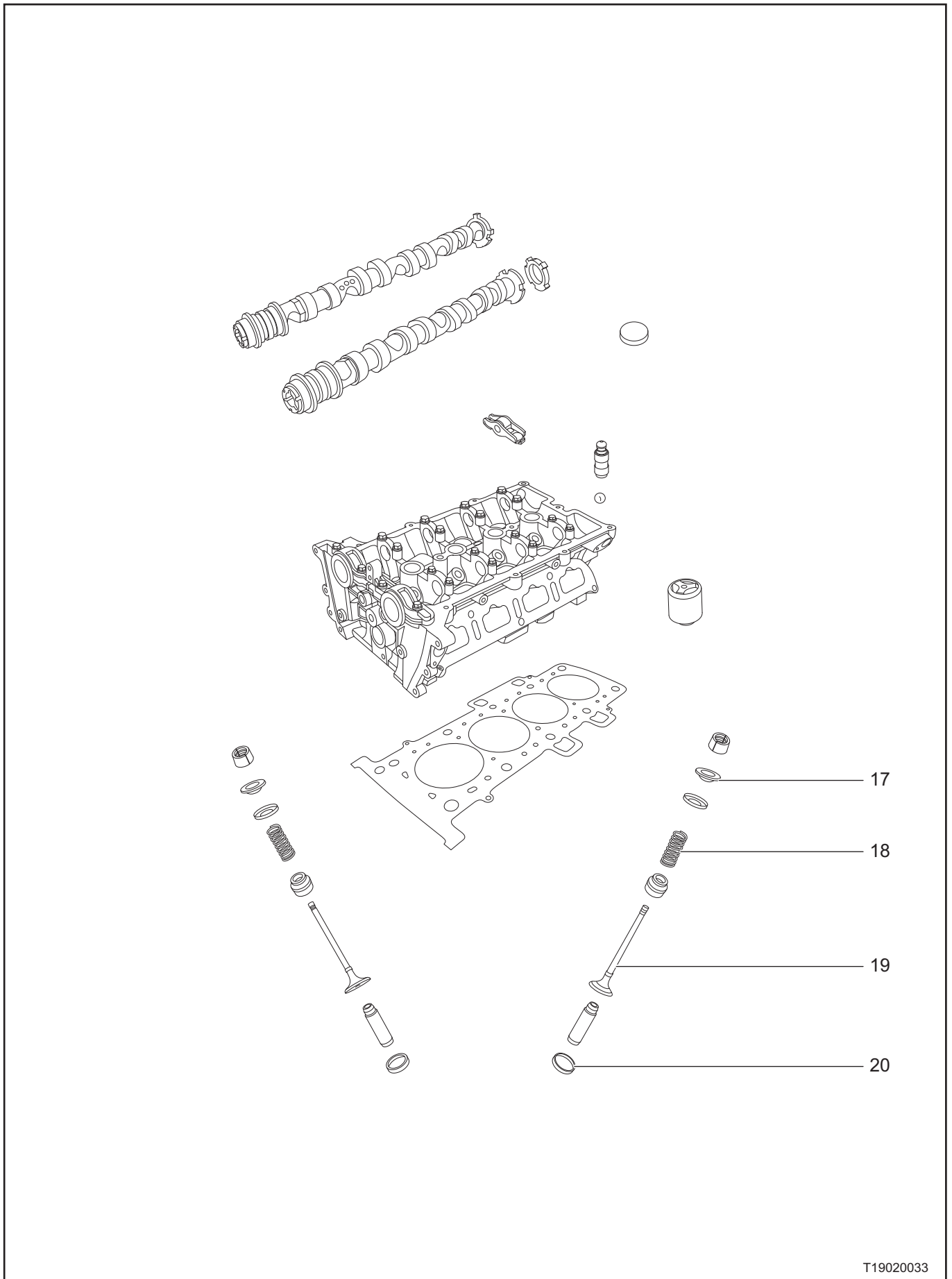
T19020031

No.	Part No.	Station No.	Station Name	Labour Time
09	E4G16-1003021	T19E4G10030212751	Remove and reinstall 1 intake valve seat ring	10
		Ex: T19E4G0000E843651	Disassemble and reassemble E4G15C engine assy	350
		Ex: T19E4G0000E842701	Remove and reinstall E4G15C engine assy	600
		T19E4G10030212752	Remove and reinstall 2 intake valve seat rings	20
		Ex: T19E4G0000E843651	Disassemble and reassemble E4G15C engine assy	350
		Ex: T19E4G0000E842701	Remove and reinstall E4G15C engine assy	600
		T19E4G10030212754	Remove and reinstall 4 intake valve seat rings	30
		Ex: T19E4G0000E843651	Disassemble and reassemble E4G15C engine assy	350
		Ex: T19E4G0000E842701	Remove and reinstall E4G15C engine assy	600
		T19E4G10030212756	Remove and reinstall 6 intake valve seat rings	40
		Ex: T19E4G0000E843651	Disassemble and reassemble E4G15C engine assy	350
		Ex: T19E4G0000E842701	Remove and reinstall E4G15C engine assy	600
		T19E4G10030212758	Remove and reinstall 8 intake valve seat rings	50
		Ex: T19E4G0000E843651	Disassemble and reassemble E4G15C engine assy	350
		Ex: T19E4G0000E842701	Remove and reinstall E4G15C engine assy	600
10	481H-1006019	T19E4G10060192751	Remove and reinstall signal wheel - camshaft position sensor	20
		Ex: T19E4G10060402751	Remove and reinstall intake camshaft phaser assy	20
		Ex: T19E4G10070802751	Remove and reinstall timing chain assy	40
		Ex: T19E4G10070832701	Remove and reinstall timing chain cover	120
		T19E4G10060192761	Remove and reinstall signal wheel - camshaft position sensor	20
		Ex: T19E4G10060602751	Remove and reinstall exhaust camshaft phaser assy	20
		Ex: T19E4G10070802751	Remove and reinstall timing chain assy	40
		Ex: T19E4G10070832701	Remove and reinstall timing chain cover	120
11	372-1002024	T19E4G10020242701	Remove and reinstall cup plug	30



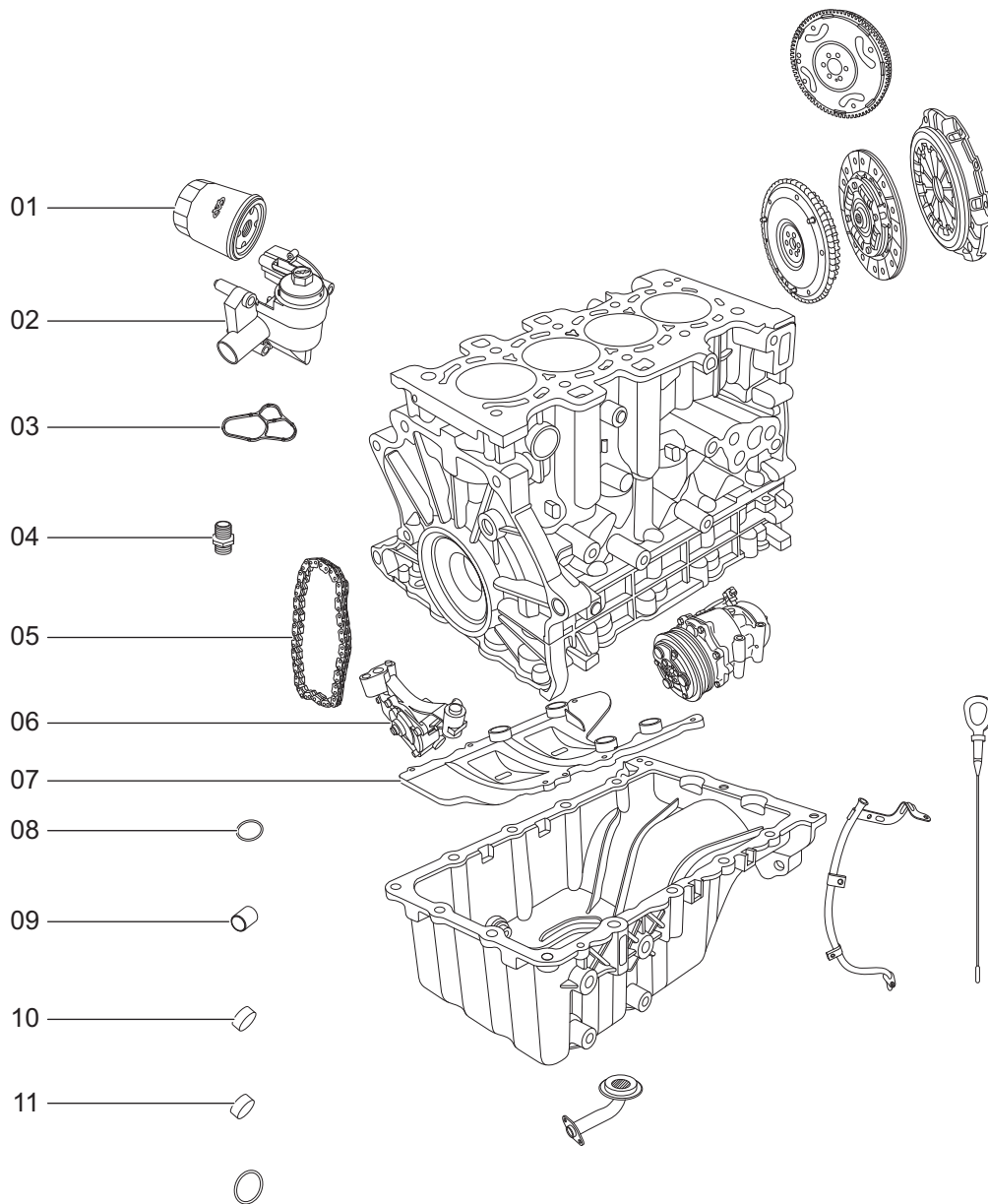
T19020032

No.	Part No.	Station No.	Station Name	Labour Time
12	481H-1007030A1	T19E4G10070302751	Remove and reinstall 1-8 roller rocker arm assy	10
		Ex: T19E4G10060102751	Remove and reinstall intake camshaft assy	30
		Ex: T19E4G10060402751	Remove and reinstall intake camshaft phaser assy	20
		Ex: T19E4G10070802751	Remove and reinstall timing chain assy	40
		Ex: T19E4G10070832701	Remove and reinstall timing chain cover	120
	481H-1007030	T19E4G10070302761	Remove and reinstall 1-8 roller rocker arm assy	10
		Ex: T19E4G10060102751	Remove and reinstall intake camshaft assy	30
		Ex: T19E4G10060402751	Remove and reinstall intake camshaft phaser assy	20
		Ex: T19E4G10070802751	Remove and reinstall timing chain assy	40
		Ex: T19E4G10070832701	Remove and reinstall timing chain cover	120
	481H-1007030AB	T19E4G10070302731	Remove and reinstall 1-8 roller rocker arm assy	10
		Ex: T19E4G10060102751	Remove and reinstall intake camshaft assy	30
		Ex: T19E4G10060402751	Remove and reinstall intake camshaft phaser assy	20
Ex: T19E4G10070802751		Remove and reinstall timing chain assy	40	
Ex: T19E4G10070832701		Remove and reinstall timing chain cover	120	
13	481H-1007040	T19E4G10070402751	Remove and reinstall 1-8 hydraulic tappet assy	10
		Ex: T19E4G10060102751	Remove and reinstall intake camshaft assy	30
		Ex: T19E4G10060402751	Remove and reinstall intake camshaft phaser assy	20
		Ex: T19E4G10070802751	Remove and reinstall timing chain assy	40
		Ex: T19E4G10070832701	Remove and reinstall timing chain cover	120
	481H-1007040AB	T19E4G10070402731	Remove and reinstall 1-8 hydraulic tappet assy	10
		Ex: T19E4G10060102751	Remove and reinstall intake camshaft assy	30
		Ex: T19E4G10060402751	Remove and reinstall intake camshaft phaser assy	20
		Ex: T19E4G10070802751	Remove and reinstall timing chain assy	40
14	480-1006017	T19E4G10060172751	Remove and reinstall steel ball	30
		Ex: T19E4G0000E843651	Disassemble and reassemble E4G15C engine assy	350
		Ex: T19E4G0000E842701	Remove and reinstall E4G15C engine assy	600
15	F4J16-1003034	T19E4G10030342751	Remove and reinstall check valve (inside cylinder head)	30
		Ex: T19E4G10030102751	Remove and reinstall E4G15C cylinder head assy	160
		Ex: T19E4G10070802751	Remove and reinstall timing chain assy	40
		Ex: T19E4G10070832701	Remove and reinstall timing chain cover	120
16	E4G16-1003080	T19E4G10030802751	Remove and reinstall cylinder gasket	0
		Ex: T19E4G10030102751	Remove and reinstall E4G15C cylinder head assy	160
		Ex: T19E4G10070802751	Remove and reinstall timing chain assy	40
		Ex: T19E4G10070832701	Remove and reinstall timing chain cover	120



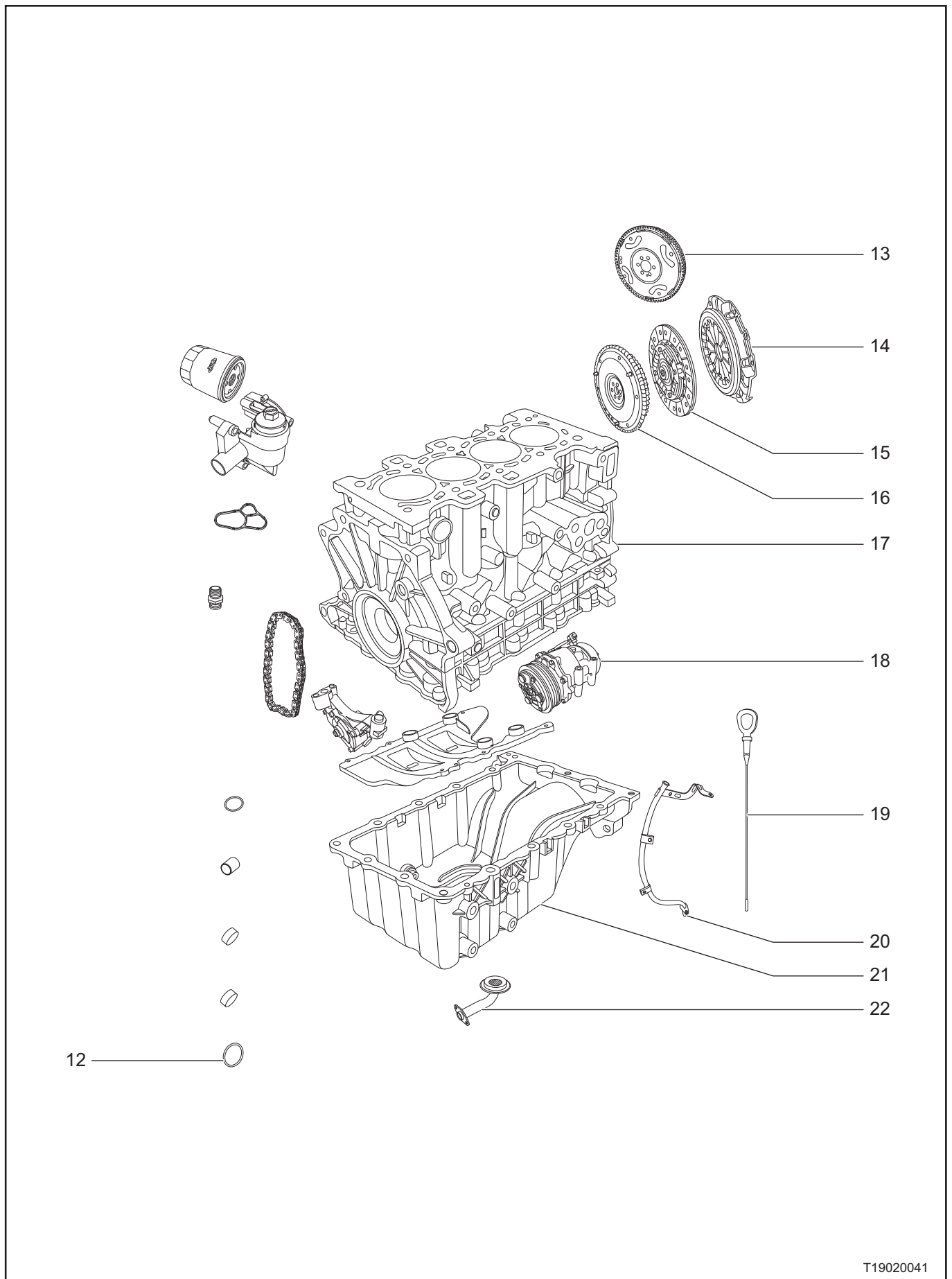
T19020033

No.	Part No.	Station No.	Station Name	Labour Time
17	473H-1007015	T19E4G10070152751	Remove and reinstall valve spring upr seat	0
		Ex: T19E4G0000E843651	Disassemble and reassemble E4G15C engine assy	350
		Ex: T19E4G0000E842701	Remove and reinstall E4G15C engine assy	600
18	E4G16-1007014	T19E4G10070142751	Remove and reinstall 1-8 valve spring	0
		Ex: T19E4G0000E843651	Disassemble and reassemble E4G15C engine assy	350
		Ex: T19E4G0000E842701	Remove and reinstall E4G15C engine assy	600
19	E4G16-1007012	T19E4G10070122751	Remove and reinstall 1-8 exhaust valve	0
		Ex: T19E4G0000E843651	Disassemble and reassemble E4G15C engine assy	350
		Ex: T19E4G0000E842701	Remove and reinstall E4G15C engine assy	600
20	E4G16-1003022	T19E4G10030222751	Remove and reinstall 1 exhaust valve seat ring	10
		Ex: T19E4G0000E843651	Disassemble and reassemble E4G15C engine assy	350
		Ex: T19E4G0000E842701	Remove and reinstall E4G15C engine assy	600
		T19E4G10030222752	Remove and reinstall 2 exhaust valve seat rings	20
		Ex: T19E4G0000E843651	Disassemble and reassemble E4G15C engine assy	350
		Ex: T19E4G0000E842701	Remove and reinstall E4G15C engine assy	600
		T19E4G10030222754	Remove and reinstall 4 exhaust valve seat rings	30
		Ex: T19E4G0000E843651	Disassemble and reassemble E4G15C engine assy	350
		Ex: T19E4G0000E842701	Remove and reinstall E4G15C engine assy	600
		T19E4G10030222756	Remove and reinstall 6 exhaust valve seat rings	40
		Ex: T19E4G0000E843651	Disassemble and reassemble E4G15C engine assy	350
		Ex: T19E4G0000E842701	Remove and reinstall E4G15C engine assy	600
T19E4G10030222758	Remove and reinstall 8 exhaust valve seat rings	50		
Ex: T19E4G0000E843651	Disassemble and reassemble E4G15C engine assy	350		
Ex: T19E4G0000E842701	Remove and reinstall E4G15C engine assy	600		



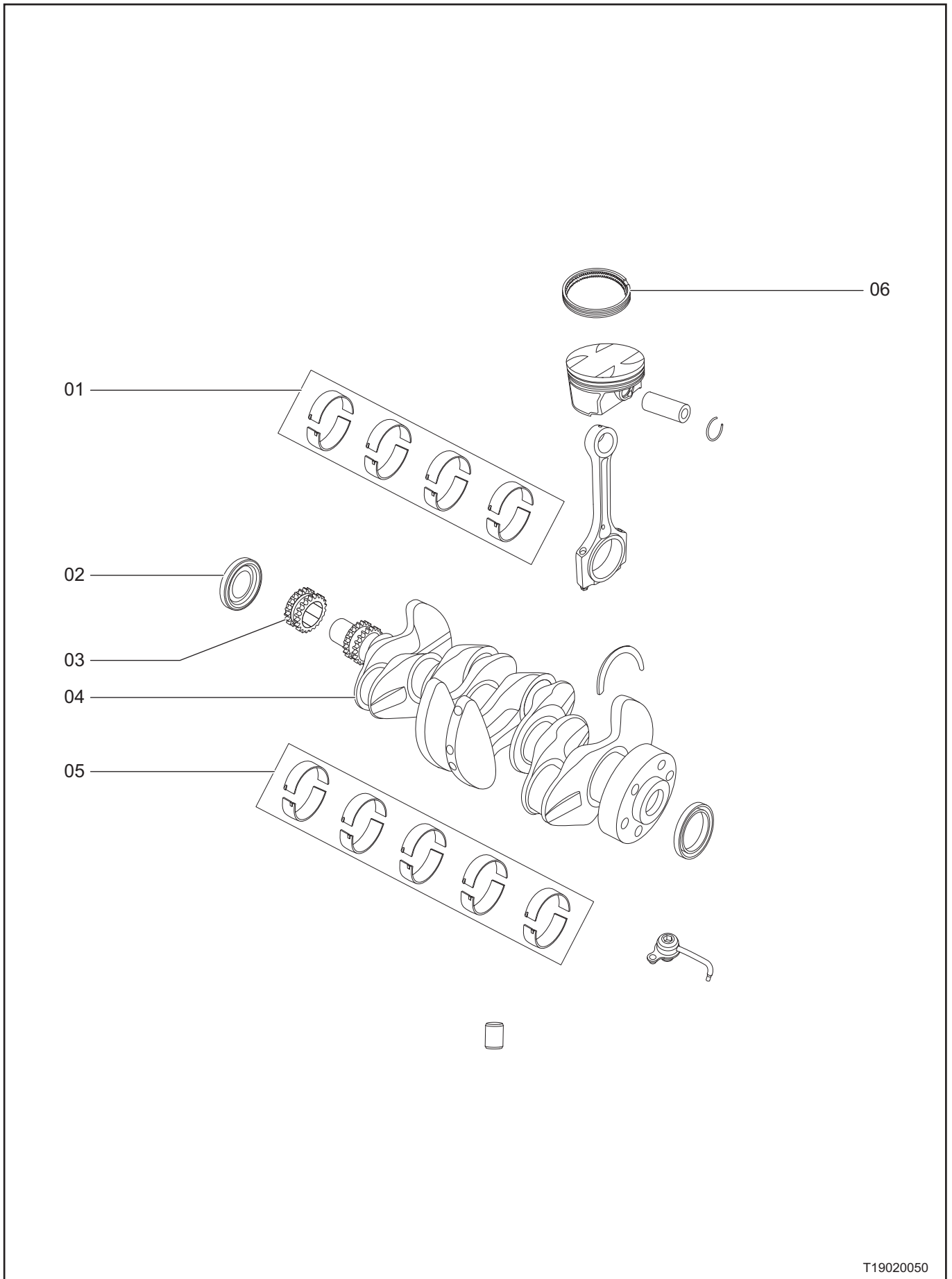
T19020040

No.	Part No.	Station No.	Station Name	Labour Time
01	480-1012010	T19E4G10120102701	Remove and reinstall oil filter assy	20
02	E4G15C-1012100	T19E4G10121002751	Remove and reinstall oil filter module assy	60
		Ex: T19E4G10081102701	Remove and reinstall exhaust manifold assy	70
03	E4G16-1012026	T19E4G10120262751	Remove and reinstall oil path seal ring	10
		Ex: T19E4G10121002751	Remove and reinstall oil filter module assy	60
		Ex: T19E4G10081102701	Remove and reinstall exhaust manifold assy	70
04	473H-1012021	T19E4G10120212751	Remove and reinstall joint-oil filter	10
		Ex: T19E4G10120102701	Remove and reinstall oil filter assy	20
05	E4G15-1011060	T19E4G10110602751	Remove and reinstall oil pump chain assy	20
		Ex: T19E4G10070802751	Remove and reinstall timing chain assy	40
		Ex: T19E4G10090102701	Remove and reinstall oil pan assy	100
		Ex: T19E4G10070832701	Remove and reinstall timing chain cover	120
06	E4T16-1011030	T19E4G10110302751	Remove and reinstall oil pump assy - VVT-T	40
		Ex: T19E4G10090102701	Remove and reinstall oil pan assy	100
07	E4G16-1009013	T19E4G10090132751	Remove and reinstall oil insulation plate	10
		Ex: T19E4G10090102701	Remove and reinstall oil pan assy	100
08	481H-1002037	T19E4G10020372751	Remove and reinstall O-ring - frame 22x2.5	10
		Ex: T19E4G10090102701	Remove and reinstall oil pan assy	100
09	481H-1002038	T19E4G10020382751	Remove and reinstall transmission locating sleeve	10
		Ex: T19M1720000082701	Remove and reinstall transmission assy	350
10	480-1011055AB	T19E4G10110552701	Remove and reinstall cup plug Φ 16	30
11	372-1003026	T19E4G10030262751	Remove and reinstall cup plug	30
		Ex: T19E4G10070832701	Remove and reinstall timing chain cover	120



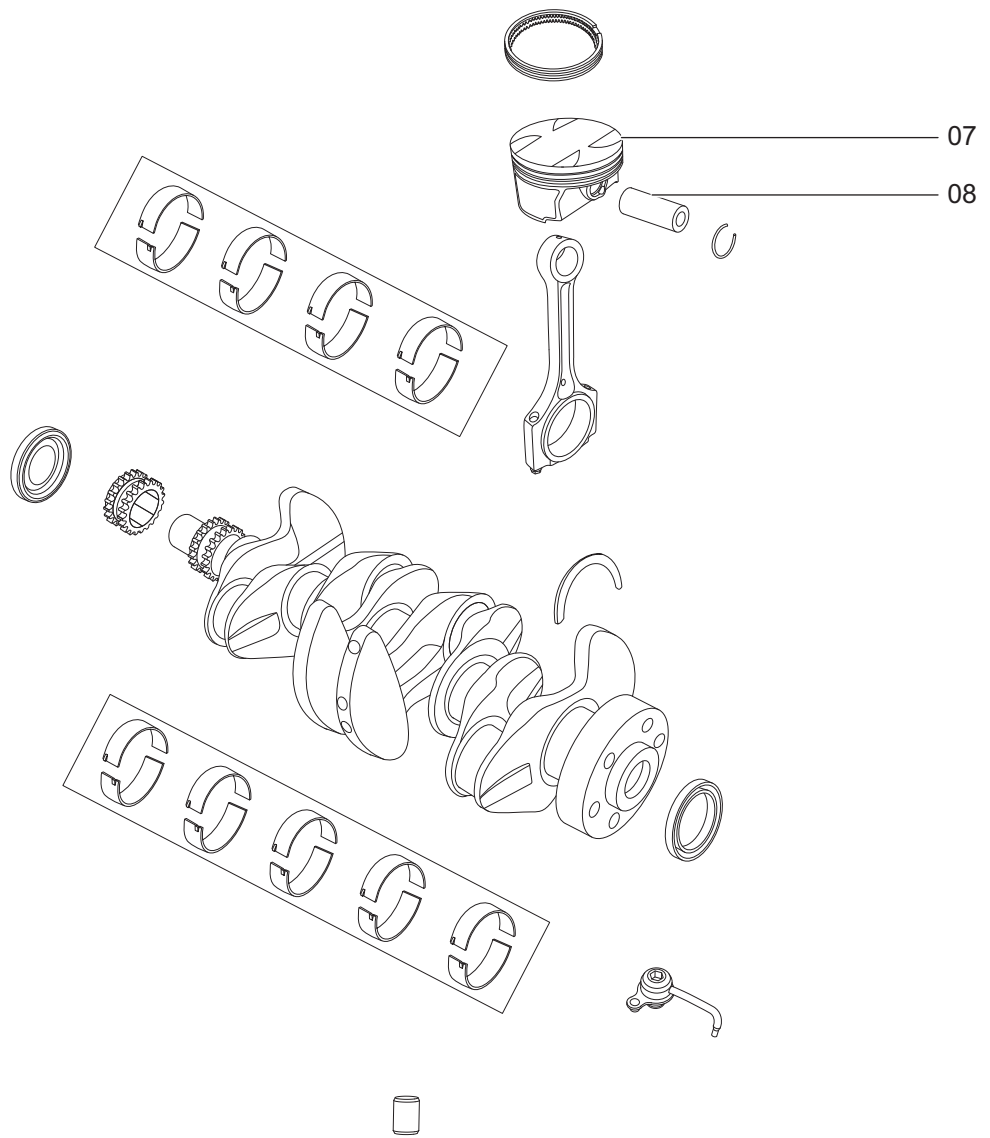
T19020041

No.	Part No.	Station No.	Station Name	Labour Time
12	481H-1009114	T19E4G10091142751	Remove and reinstall O-ring	10
		Ex: T19E4G10091122701	Remove and reinstall oil dipstick tube	30
13	A21-1501210	T19E4G15012102751	Remove and reinstall flexible flywheel washer assy	50
		Ex: T19M1720000082701	Remove and reinstall transmission assy	350
14	J42-1601020BA	T19E4G16010202751	Remove and reinstall clutch cover assy	30
		Ex: T19M1720000082701	Remove and reinstall transmission assy	350
15	J42-1601030BA	T19E4G16010302751	Remove and reinstall driven disc assy	0
		Ex: T19E4G16010202751	Remove and reinstall clutch cover assy	30
		Ex: T19M1720000082701	Remove and reinstall transmission assy	350
16	484F-1005110BA	T19E4G10051102751	Remove and reinstall flywheel assy (with additional wheel, signal wheel)	50
		Ex: T19M1720000082701	Remove and reinstall transmission assy	350
17	E4G16-1002010BA	T19E4G10020102751	Remove and reinstall cylinder block with frame assy	0
		Ex: T19E4G0000E843651	Disassemble and reassemble E4G15C engine assy	350
		Ex: T19E4G0000E842701	Remove and reinstall E4G15C engine assy	600
18	J60-8103010	T19E4G81030102701	Remove and reinstall v-ribbed belt a/c compressor assy	50
19	E4G16-1009110	T19E4G10091102701	Remove and reinstall Oil dipstick assembly	10
20	E4G16-1009112BB	T19E4G10091122701	Remove and reinstall oil dipstick tube	30
21	E4G16-1009010	T19E4G10090102701	Remove and reinstall oil pan assy	100
22	E4G16-1010010BA	T19E4G10100102751	Remove and reinstall oil collector assy	20
		Ex: T19E4G10090102701	Remove and reinstall oil pan assy	100



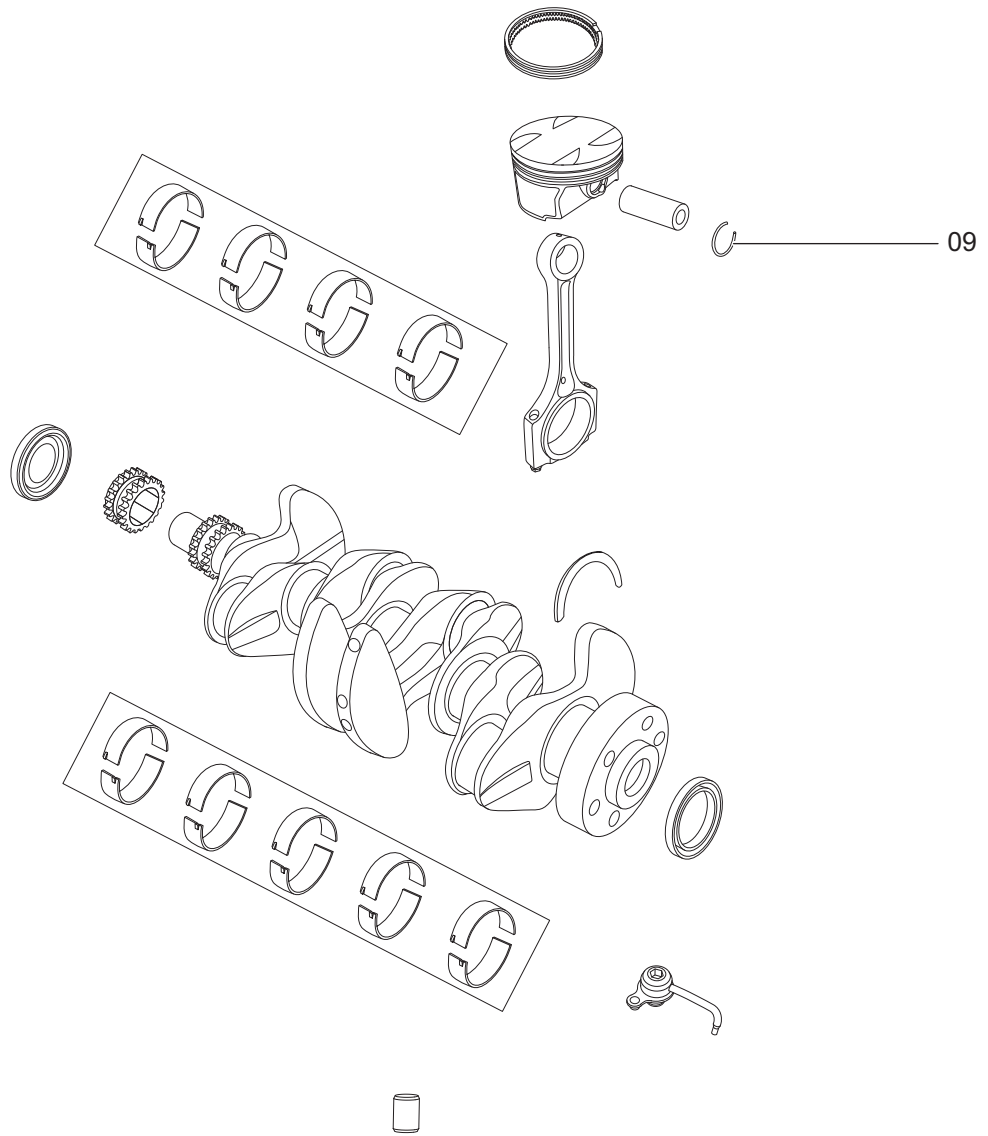
T19020050

No.	Part No.	Station No.	Station Name	Labour Time
01	E4G16-BJ1004120	T19E4G10041202751	Remove and reinstall red connecting rod bearing assemblies (1 set)	10
		Ex: T19E4G10041102754	Remove and reinstall 4 E4G16 connecting rod assemblies	50
		Ex: T19E4G10090102701	Remove and reinstall oil pan assy	100
		Ex: T19E4G10030102751	Remove and reinstall E4G15C cylinder head assy	160
		Ex: T19E4G10070802751	Remove and reinstall timing chain assy	40
		Ex: T19E4G10070832701	Remove and reinstall timing chain cover	120
	E4G16-BJ1004120BA	T19E4G10041202761	Remove and reinstall blue connecting rod bearing assemblies (1 set)	10
		Ex: T19E4G10041102754	Remove and reinstall 4 E4G16 connecting rod assemblies	50
		Ex: T19E4G10090102701	Remove and reinstall oil pan assy	100
		Ex: T19E4G10030102751	Remove and reinstall E4G15C cylinder head assy	160
		Ex: T19E4G10070802751	Remove and reinstall timing chain assy	40
		Ex: T19E4G10070832701	Remove and reinstall timing chain cover	120
02	E4G16-1005040	T19E4G10050402751	Remove and reinstall crankshaft FR oil seal assy	20
		Ex: T19E4G10050702751	Remove and reinstall torsional shock absorber assy	50
		Ex: T19E4G10250512711	Remove and reinstall accessory belt	40
03	E4G15-1007021	T19E4G10070212751	Remove and reinstall crankshaft sprocket	20
		Ex: T19E4G10070802751	Remove and reinstall timing chain assy	40
		Ex: T19E4G10070832701	Remove and reinstall timing chain cover	120
04	E4T15-1005010	T19E4G10050102751	Remove and reinstall crankshaft assy	0
		Ex: T19E4G0000E843651	Disassemble and reassemble E4G15C engine assy	350
		Ex: T19E4G0000E842701	Remove and reinstall E4G15C engine assy	600
05	E4G16-BJ1005013	T19E4G10050132751	Remove and reinstall red crankshaft bearing assemblies (1 set)	10
		Ex: T19E4G0000E843651	Disassemble and reassemble E4G15C engine assy	350
		Ex: T19E4G0000E842701	Remove and reinstall E4G15C engine assy	600
	E4G16-BJ1005013BA	T19E4G10050132761	Remove and reinstall blue crankshaft bearing assemblies (1 set)	10
		Ex: T19E4G0000E843651	Disassemble and reassemble E4G15C engine assy	350
		Ex: T19E4G0000E842701	Remove and reinstall E4G15C engine assy	600
06	E4G16-BJ1004030	T19E4G10040302751	Remove and reinstall piston ring assy (1 set)	60
		Ex: T19E4G10090102701	Remove and reinstall oil pan assy	100
		Ex: T19E4G10030102751	Remove and reinstall E4G15C cylinder head assy	160
		Ex: T19E4G10070802751	Remove and reinstall timing chain assy	40
		Ex: T19E4G10070832701	Remove and reinstall timing chain cover	120



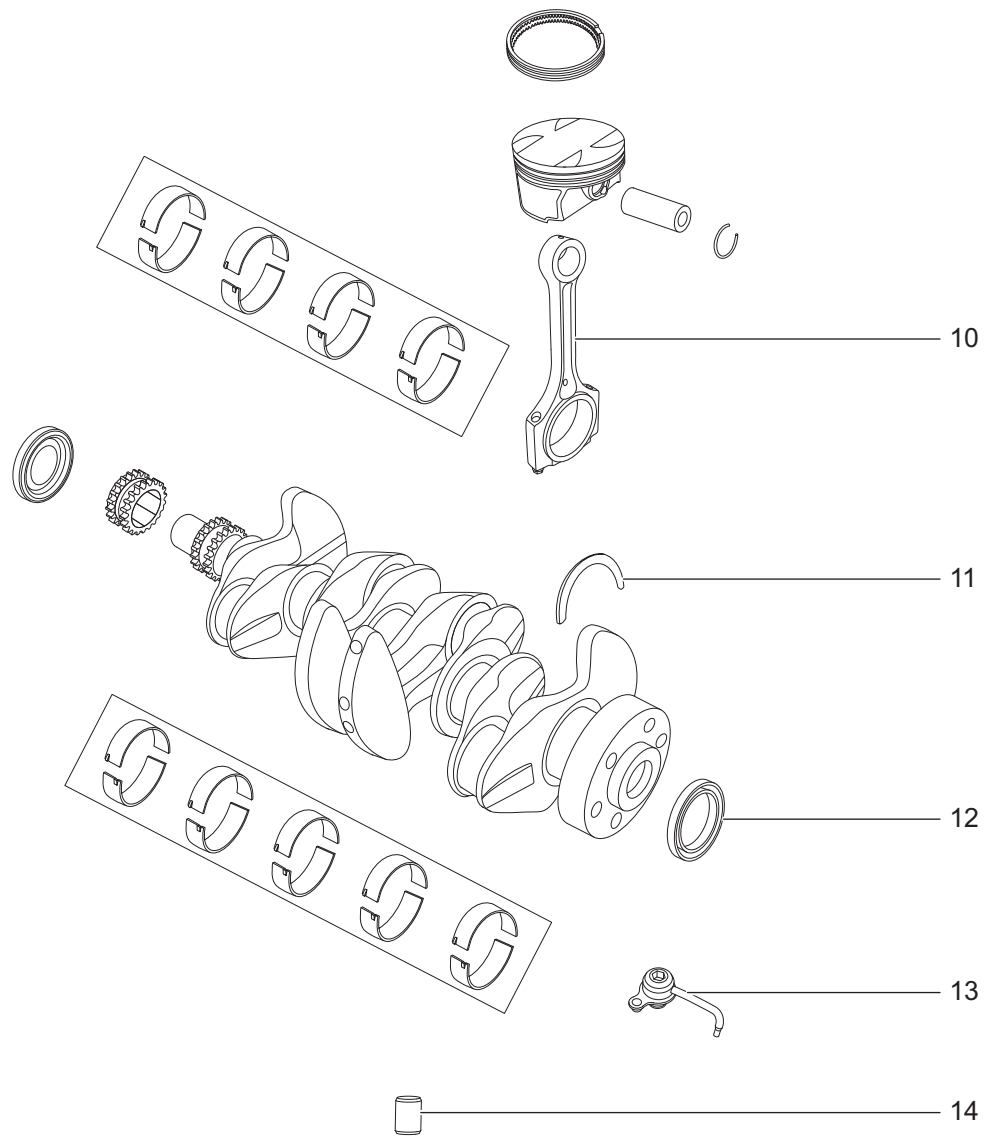
T19020051

No.	Part No.	Station No.	Station Name	Labour Time
07	E4G15B-1004015	T19E4G10040152751	Remove and reinstall 1 piston assy	30
		Ex: T19E4G10090102701	Remove and reinstall oil pan assy	100
		Ex: T19E4G10030102751	Remove and reinstall E4G15C cylinder head assy	160
		Ex: T19E4G10070802751	Remove and reinstall timing chain assy	40
		Ex: T19E4G10070832701	Remove and reinstall timing chain cover	120
		T19E4G10040152752	Remove and reinstall 2 piston armassemblies	40
		Ex: T19E4G10090102701	Remove and reinstall oil pan assy	100
		Ex: T19E4G10030102751	Remove and reinstall E4G15C cylinder head assy	160
		Ex: T19E4G10070802751	Remove and reinstall timing chain assy	40
		Ex: T19E4G10070832701	Remove and reinstall timing chain cover	120
		T19E4G10040152753	Remove and reinstall 3 piston armassemblies	50
		Ex: T19E4G10090102701	Remove and reinstall oil pan assy	100
		Ex: T19E4G10030102751	Remove and reinstall E4G15C cylinder head assy	160
		Ex: T19E4G10070802751	Remove and reinstall timing chain assy	40
		Ex: T19E4G10070832701	Remove and reinstall timing chain cover	120
		T19E4G10040152754	Remove and reinstall 4 piston armassemblies	60
		Ex: T19E4G10090102701	Remove and reinstall oil pan assy	100
		Ex: T19E4G10030102751	Remove and reinstall E4G15C cylinder head assy	160
		Ex: T19E4G10070802751	Remove and reinstall timing chain assy	40
		Ex: T19E4G10070832701	Remove and reinstall timing chain cover	120
08	E4G16-1004031	T19E4G10040312751	Remove and reinstall 1 piston pin	30
		Ex: T19E4G10090102701	Remove and reinstall oil pan assy	100
		Ex: T19E4G10030102751	Remove and reinstall E4G15C cylinder head assy	160
		Ex: T19E4G10070802751	Remove and reinstall timing chain assy	40
		Ex: T19E4G10070832701	Remove and reinstall timing chain cover	120
		T19E4G10040312752	Remove and reinstall 2 piston pins	40
		Ex: T19E4G10090102701	Remove and reinstall oil pan assy	100
		Ex: T19E4G10030102751	Remove and reinstall E4G15C cylinder head assy	160
		Ex: T19E4G10070802751	Remove and reinstall timing chain assy	40
		Ex: T19E4G10070832701	Remove and reinstall timing chain cover	120
		T19E4G10040312753	Remove and reinstall 3 piston pins	50
		Ex: T19E4G10090102701	Remove and reinstall oil pan assy	100
		Ex: T19E4G10030102751	Remove and reinstall E4G15C cylinder head assy	160
		Ex: T19E4G10070802751	Remove and reinstall timing chain assy	40
		Ex: T19E4G10070832701	Remove and reinstall timing chain cover	120
		T19E4G10040312754	Remove and reinstall 4 piston pins	60
		Ex: T19E4G10090102701	Remove and reinstall oil pan assy	100
		Ex: T19E4G10030102751	Remove and reinstall E4G15C cylinder head assy	160
		Ex: T19E4G10070802751	Remove and reinstall timing chain assy	40
		Ex: T19E4G10070832701	Remove and reinstall timing chain cover	120



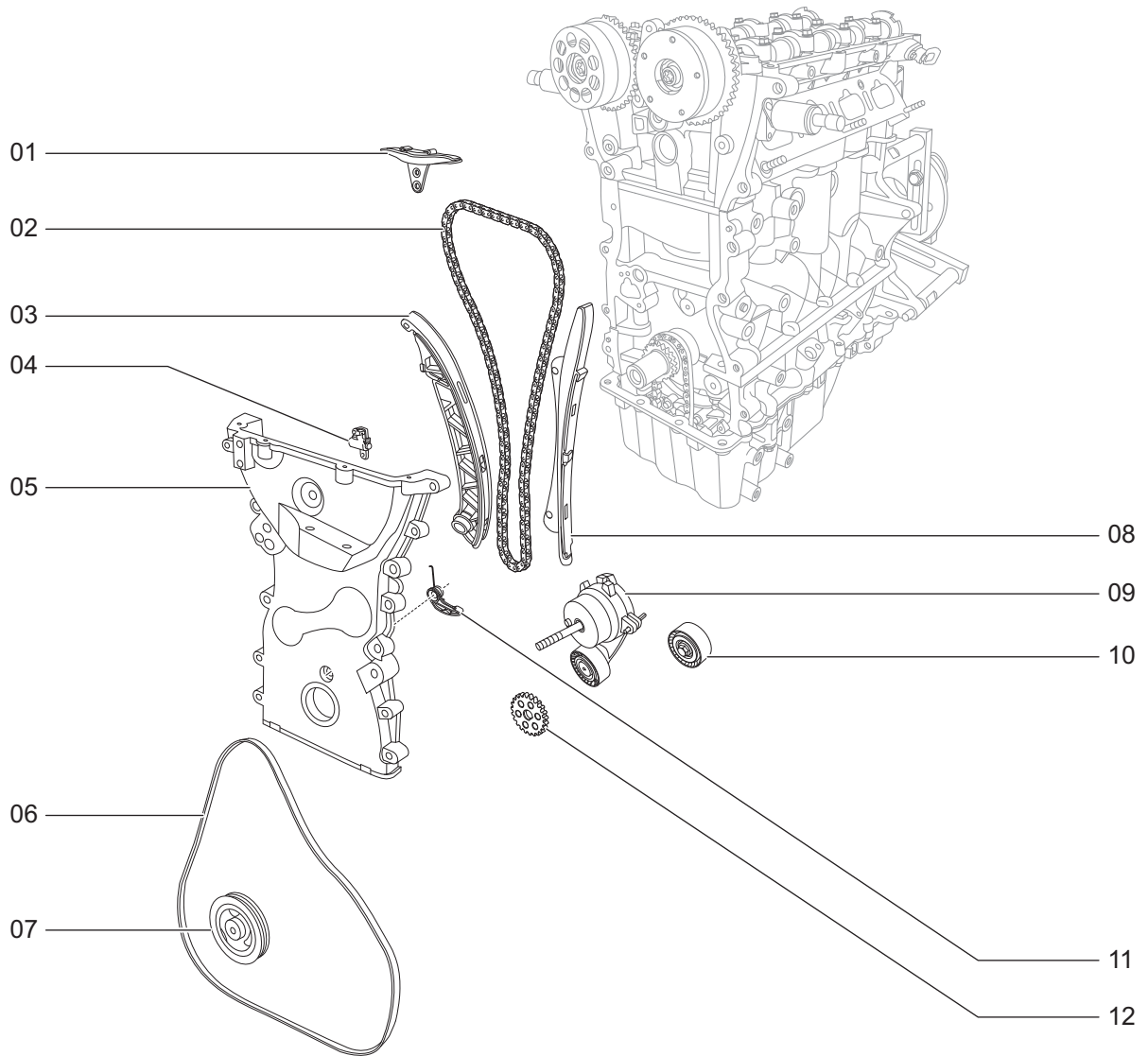
T19020052

No.	Part No.	Station No.	Station Name	Labour Time
09	E4G16-1004043	T19E4G10040432751	Remove and reinstall 1 elastic retaining ring	30
		Ex: T19E4G10090102701	Remove and reinstall oil pan assy	100
		Ex: T19E4G10030102751	Remove and reinstall E4G15C cylinder head assy	160
		Ex: T19E4G10070802751	Remove and reinstall timing chain assy	40
		Ex: T19E4G10070832701	Remove and reinstall timing chain cover	120
		T19E4G10040432752	Remove and reinstall 2 elastic retaining ring	40
		Ex: T19E4G10090102701	Remove and reinstall oil pan assy	100
		Ex: T19E4G10030102751	Remove and reinstall E4G15C cylinder head assy	160
		Ex: T19E4G10070802751	Remove and reinstall timing chain assy	40
		Ex: T19E4G10070832701	Remove and reinstall timing chain cover	120
		T19E4G10040432753	Remove and reinstall 3 elastic retaining ring	50
		Ex: T19E4G10090102701	Remove and reinstall oil pan assy	100
		Ex: T19E4G10030102751	Remove and reinstall E4G15C cylinder head assy	160
		Ex: T19E4G10070802751	Remove and reinstall timing chain assy	40
		Ex: T19E4G10070832701	Remove and reinstall timing chain cover	120
		T19E4G10040432754	Remove and reinstall 4 elastic retaining ring	60
		Ex: T19E4G10090102701	Remove and reinstall oil pan assy	100
		Ex: T19E4G10030102751	Remove and reinstall E4G15C cylinder head assy	160
		Ex: T19E4G10070802751	Remove and reinstall timing chain assy	40
		Ex: T19E4G10070832701	Remove and reinstall timing chain cover	120



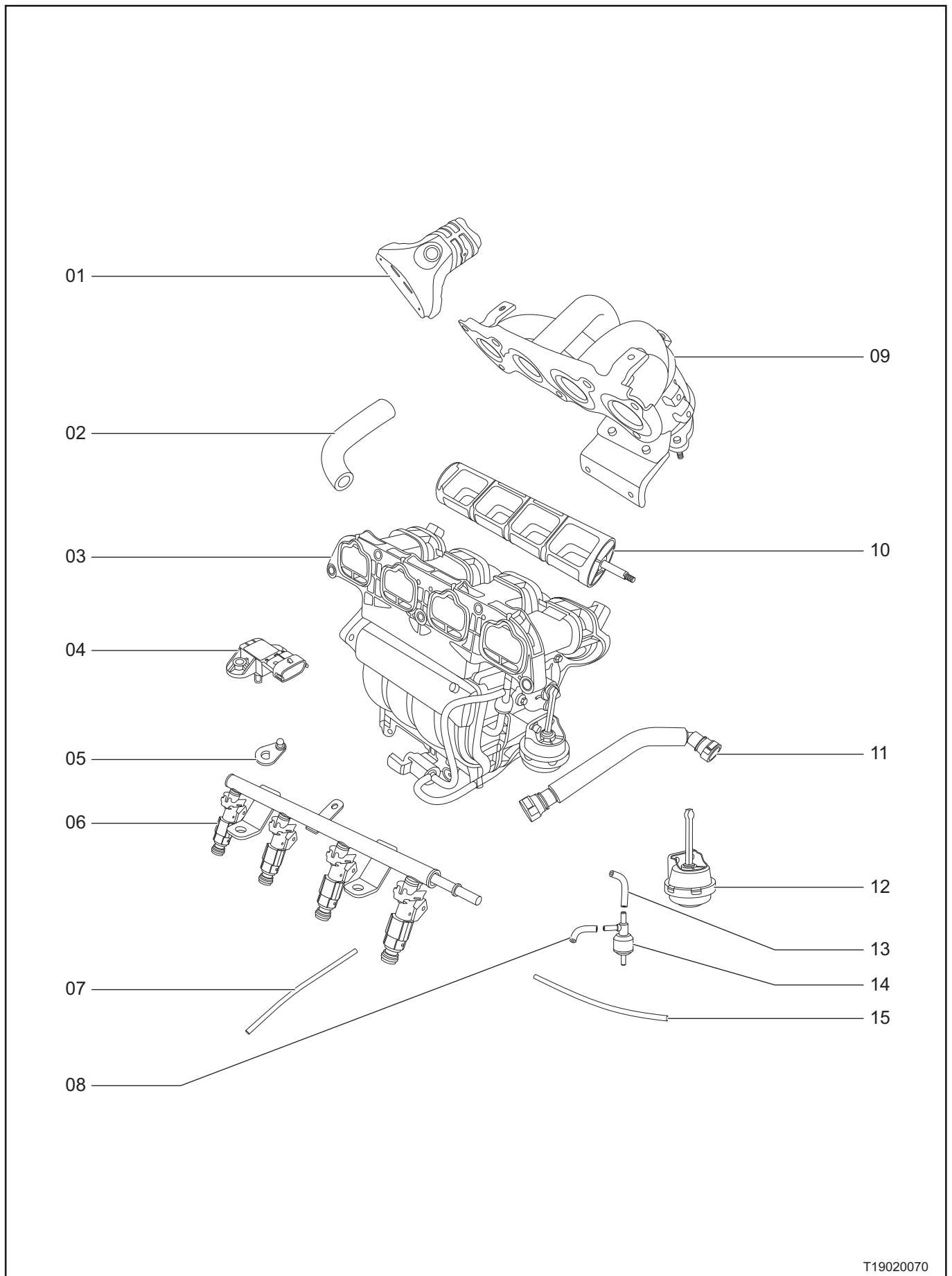
T19020053

No.	Part No.	Station No.	Station Name	Labour Time
10	E4G16-1004110AC	T19E4G10041102751	Remove and reinstall 1 E4G16 connecting rod assemble	20
		Ex: T19E4G10090102701	Remove and reinstall oil pan assy	100
		Ex: T19E4G10030102751	Remove and reinstall E4G15C cylinder head assy	160
		Ex: T19E4G10070802751	Remove and reinstall timing chain assy	40
		Ex: T19E4G10070832701	Remove and reinstall timing chain cover	120
		T19E4G10041102752	Remove and reinstall 2 E4G16 connecting rod assemblies	30
		Ex: T19E4G10090102701	Remove and reinstall oil pan assy	100
		Ex: T19E4G10030102751	Remove and reinstall E4G15C cylinder head assy	160
		Ex: T19E4G10070802751	Remove and reinstall timing chain assy	40
		Ex: T19E4G10070832701	Remove and reinstall timing chain cover	120
		T19E4G10041102753	Remove and reinstall 3 E4G16 connecting rod assemblies	40
		Ex: T19E4G10090102701	Remove and reinstall oil pan assy	100
		Ex: T19E4G10030102751	Remove and reinstall E4G15C cylinder head assy	160
		Ex: T19E4G10070802751	Remove and reinstall timing chain assy	40
		Ex: T19E4G10070832701	Remove and reinstall timing chain cover	120
		T19E4G10041102754	Remove and reinstall 4 E4G16 connecting rod assemblies	50
		Ex: T19E4G10090102701	Remove and reinstall oil pan assy	100
		Ex: T19E4G10030102751	Remove and reinstall E4G15C cylinder head assy	160
		Ex: T19E4G10070802751	Remove and reinstall timing chain assy	40
		Ex: T19E4G10070832701	Remove and reinstall timing chain cover	120
11	E4G16-1005015	T19E4G10050152751	Remove and reinstall crankshaft thrust washer	0
		Ex: T19E4G0000E843651	Disassemble and reassemble E4G15C engine assy	350
		Ex: T19E4G0000E842701	Remove and reinstall E4G15C engine assy	600
12	481H-1005030BA	T19E4G10050302751	Remove and reinstall RR oil seal - crankshaft	20
		Ex: T19E4G10051102751	Remove and reinstall flywheel assy (with additional wheel, signal wheel)	50
		Ex: T19M1720000082701	Remove and reinstall transmission assy	350
13	E4G16-1002050AB	T19E4G10020502751	Remove and reinstall 1-4 piston cooling nozzle	10
		Ex: T19E4G0000E843651	Disassemble and reassemble E4G15C engine assy	350
		Ex: T19E4G0000E842701	Remove and reinstall E4G15C engine assy	600
14	684V-1002027	T19E4G10020272751	Remove and reinstall main bearing cap locating pin	20
		Ex: T19E4G0000E843651	Disassemble and reassemble E4G15C engine assy	350
		Ex: T19E4G0000E842701	Remove and reinstall E4G15C engine assy	600



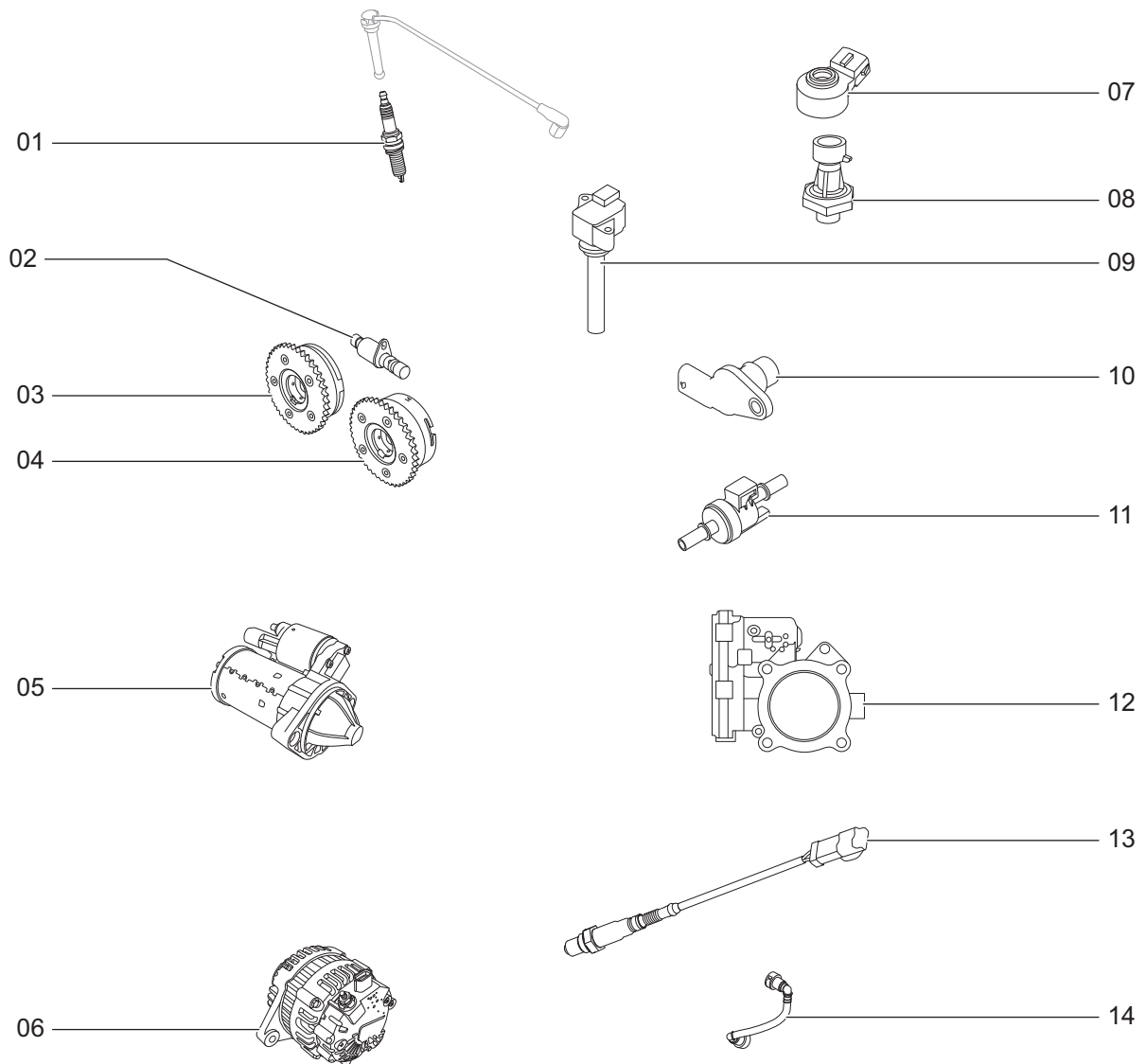
T19020060

No.	Part No.	Station No.	Station Name	Labour Time
01	E4G15-1007070	T19E4G10070702751	Remove and reinstall UPR guide rail assy	10
		Ex: T19E4G10070832701	Remove and reinstall timing chain cover	120
02	E4G15-1007080	T19E4G10070802751	Remove and reinstall timing chain assy	40
		Ex: T19E4G10070832701	Remove and reinstall timing chain cover	120
03	E4G16-1007050BA	T19E4G10070502751	Remove and reinstall movable guide rail assy	10
		Ex: T19E4G10070832701	Remove and reinstall timing chain cover	120
04	E4G16-1007040BA	T19E4G10070402761	Remove and reinstall hydraulic tensioner assy	10
		Ex: T19E4G10070832701	Remove and reinstall timing chain cover	120
05	E4T16-1007083BA	T19E4G10070832701	Remove and reinstall timing chain cover	120
06	E4G16-1025051BA	T19E4G10250512711	Remove and reinstall accessory belt	40
	E4T15-1025051AB	T19E4G10250512701	Remove and reinstall ribbed belt	40
07	E4G18-1005070	T19E4G10050702751	Remove and reinstall torsional shock absorber assy	50
		Ex: T19E4G10250512711	Remove and reinstall accessory belt	40
08	E4G16-1007060BA	T19E4G10070602751	Remove and reinstall fixing guide rail assy	10
		Ex: T19E4G10070832701	Remove and reinstall timing chain cover	120
09	S12-8111200	T19E4G81112002751	Remove and reinstall tensioner assy	20
		Ex: T19E4G10250512711	Remove and reinstall accessory belt	40
10	E4G15-1025070	T19E4G10250702751	Remove and reinstall idler assy	20
		Ex: T19E4G10250512711	Remove and reinstall accessory belt	40
11	E4G16-1011070BA	T19E4G10110702751	Remove and reinstall oil pump movable guide rail assy	20
		Ex: T19E4G10090102701	Remove and reinstall oil pan assy	100
12	E4G15-1011037	T19E4G10110372751	Remove and reinstall oil pump sprocket	20
		Ex: T19E4G10110602751	Remove and reinstall oil pump chain assy	20
		Ex: T19E4G10070802751	Remove and reinstall timing chain assy	40
		Ex: T19E4G10090102701	Remove and reinstall oil pan assy	100
		Ex: T19E4G10070832701	Remove and reinstall timing chain cover	120



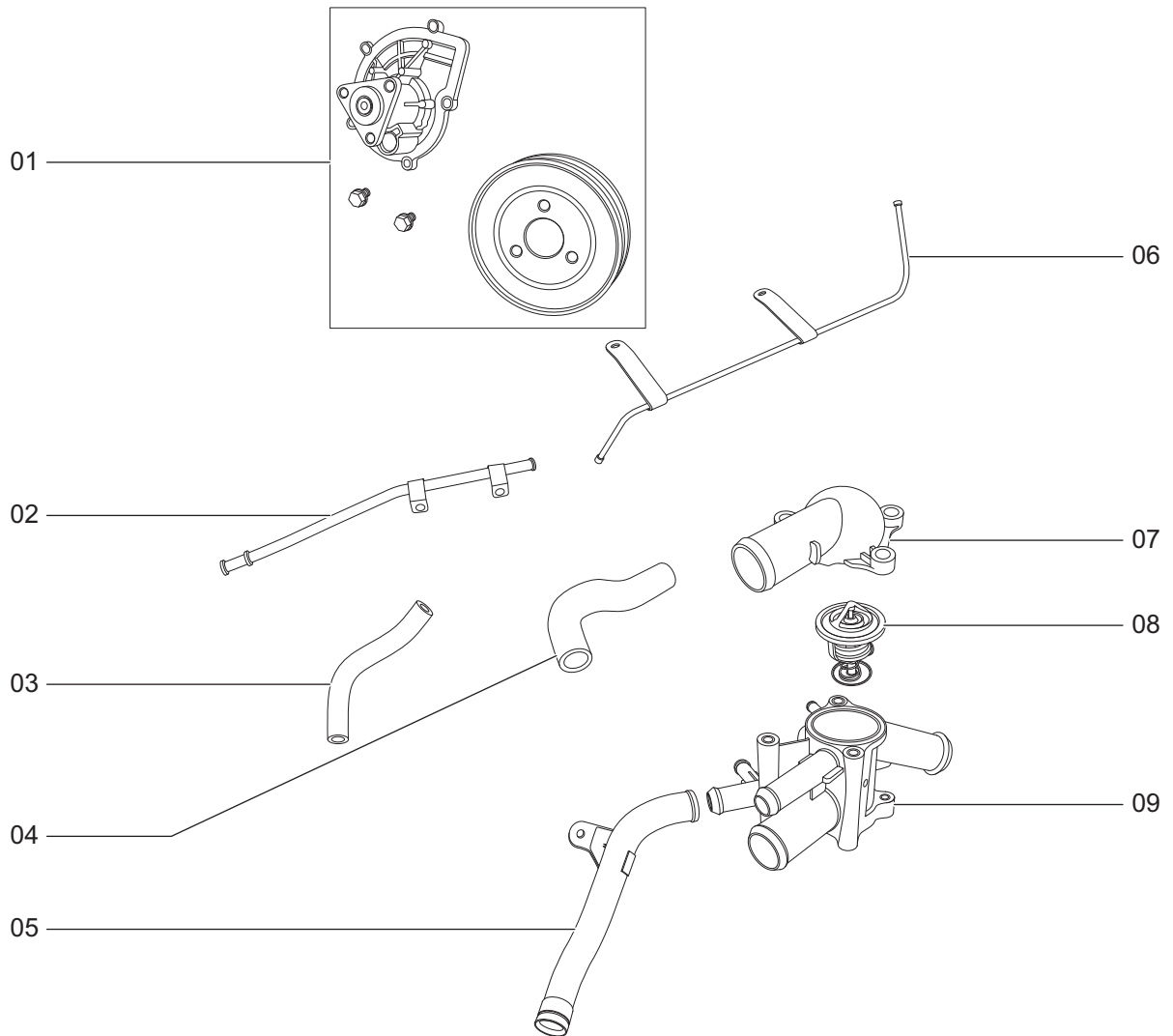
T19020070

No.	Part No.	Station No.	Station Name	Labour Time
01	E4G15C-1008141	T19E4G10081412701	Remove and reinstall heat insulator	20
02	E4G16-1008051AC	T19E4G10080512701	Remove and reinstall Vacuum hose	20
03	E4G16-1008010AD	T19E4G10080102751	Remove and reinstall intake manifold assy	90
		Ex: T19E4G37650102701	Remove and reinstall throttle valve body assy	40
04	480ED-1008060	T19E4G10080602701	Remove and reinstall sensor w/ sealing washer assy	20
05	E4G16-1008032	T19E4G10080322751	Remove and reinstall swinging arm	10
		Ex: T19E4G10080332701	Remove and reinstall vacuum actuator	50
06	E4G15C-1121010	T19E4G11210102701	Remove and reinstall fuel rail injector assembly	40
07	E4G16-1008036	T19E4G10080362701	Remove and reinstall vacuum hose - solenoid valve (inlet)	30
08	E4G16-1008038	T19E4G10080382701	Remove and reinstall vacuum hose - manifold vacuum chamber	30
09	E4G15C-1008110BC	T19E4G10081102701	Remove and reinstall exhaust manifold assy	70
10	E4G16-1008012	T19E4G10080122701	Remove and reinstall rotary valve assy	50
11	E4G15C-1014013	T19E4G10140132701	Remove and reinstall hose - air intake hose	10
12	E4G16-1008033	T19E4G10080332701	Remove and reinstall vacuum actuator	50
13	E4G16-1008039	T19E4G10080392701	Remove and reinstall vacuum hose - manifold resonance chamber	30
14	E4G16-1008037	T19E4G10080372701	Remove and reinstall check valve - vacuum system	40
15	E4G16-1008034	T19E4G10080342701	Remove and reinstall vacuum hose - solenoid valve (outlet)	30



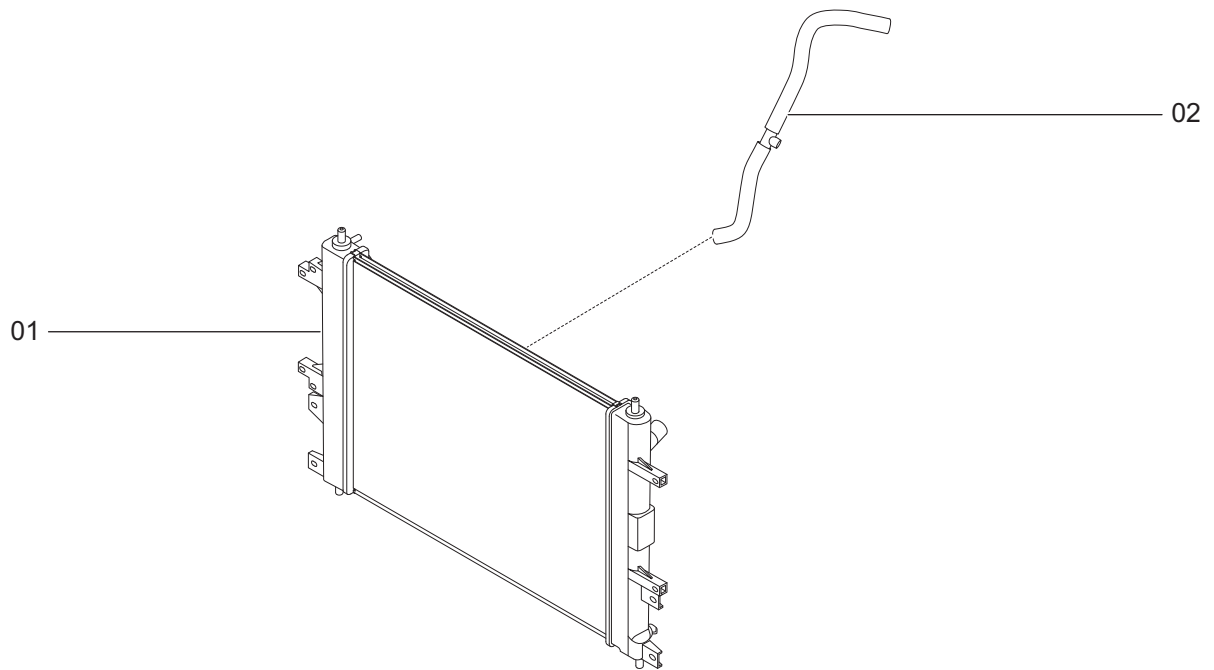
T19020080

No.	Part No.	Station No.	Station Name	Labour Time
01	E4G16-3707110	T19E4G37071102751	Remove and reinstall 1-4 spark plug assy	10
		Ex: T19E4G37051102701	Remove and reinstall 1-4 ignition coil assy	20
02	E4G16-3611091	T19E4G36110912701	Remove and reinstall control valve - camshaft phaser assy	30
03	E4G16-1006060BB	T19E4G10060602751	Remove and reinstall exhaust camshaft phaser assy	20
		Ex: T19E4G10070802751	Remove and reinstall timing chain assy	40
		Ex: T19E4G10070832701	Remove and reinstall timing chain cover	120
04	E4G16-1006040BB	T19E4G10060402751	Remove and reinstall intake camshaft phaser assy	20
		Ex: T19E4G10070802751	Remove and reinstall timing chain assy	40
		Ex: T19E4G10070832701	Remove and reinstall timing chain cover	120
05	E4G16-3708010AB	T19E4G37080102701	Remove and reinstall starter	50
06	E4T15B-3701010CA	T19E4G37010102751	Remove and reinstall generator assy	50
		Ex: T19E4G81112002751	Remove and reinstall tensioner assy	20
		Ex: T19E4G10250512711	Remove and reinstall accessory belt	40
	E4G16-3701010BA	T19E4G37010102761	Remove and reinstall alternator	50
		Ex: T19E4G81112002751	Remove and reinstall tensioner assy	20
		Ex: T19E4G10250512711	Remove and reinstall accessory belt	40
	E4G16-3701010EA	T19E4G37010102731	Remove and reinstall generator assy	50
		Ex: T19E4G81112002751	Remove and reinstall tensioner assy	20
	Ex: T19E4G10250512711	Remove and reinstall accessory belt	40	
07	371F-3611031	T19E4G36110312701	Remove and reinstall knock sensor	30
	E4G15C-3611031	T19E4G36110312711	Remove and reinstall knock sensor	30
08	F4J16-3810010	T19E4G38100102701	Remove and reinstall oil pressure switch	30
09	F4J16-3705110AB	T19E4G37051102701	Remove and reinstall 1-4 ignition coil assy	20
10	D4G15B-3611011	T19E4G36110112701	Remove and reinstall camshaft position sensor	30
11	F4J16-1130011	T19E4G11300112701	Remove and reinstall charcoal canister solenoid valve	20
12	E4G15B-3765010	T19E4G37650102701	Remove and reinstall throttle valve body assy	40
13	J60-3611061	T19E4G36110612701	Remove and reinstall oxygen sensor	20
14	J60-1208031AD	T19KKK12080312701	Remove and reinstall charcoal canister solenoid valve air outlet hose	10



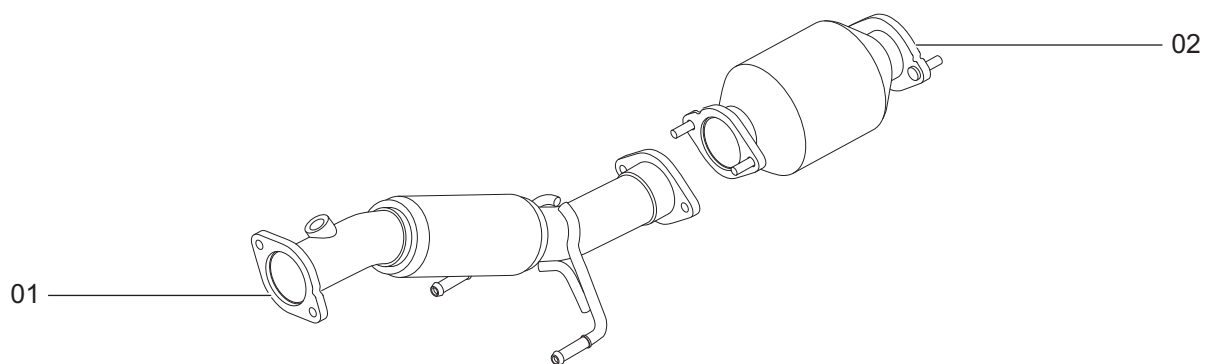
T19020090

No.	Part No.	Station No.	Station Name	Labour Time
01	E4G16-1307010	T19E4G13070102701	Remove and reinstall water pump and seal ring assy	90
02	E4G16-1008053AB	T19E4G10080532701	Remove and reinstall metal vacuum tube	30
03	E4G16-1303051BA	T19E4G13030512701	Remove and reinstall air exhaust hose	20
04	E4G16-1303711BB	T19E4G13037112701	Remove and reinstall small circulation water hose	30
05	E4T15B-1303310	T19E4G13033102701	Remove and reinstall cooling water hose assy I	30
06	E4G16-1303011AB	T19E4G13030112701	Remove and reinstall exhaust steel pipe	20
07	E4G16-1306050	T19E4G13060502701	Remove and reinstall thermostat cover assy	20
08	E4G16-1306020	T19E4G13060202751	Remove and reinstall thermostat	0
		Ex: T19E4G13060502701	Remove and reinstall thermostat cover assy	20
09	E4G16-1306030	T19E4G13060302751	Remove and reinstall thermostat seat assy	30
		Ex: T19E4G13060202751	Remove and reinstall thermostat	0
		Ex: T19E4G13060502701	Remove and reinstall thermostat cover assy	20



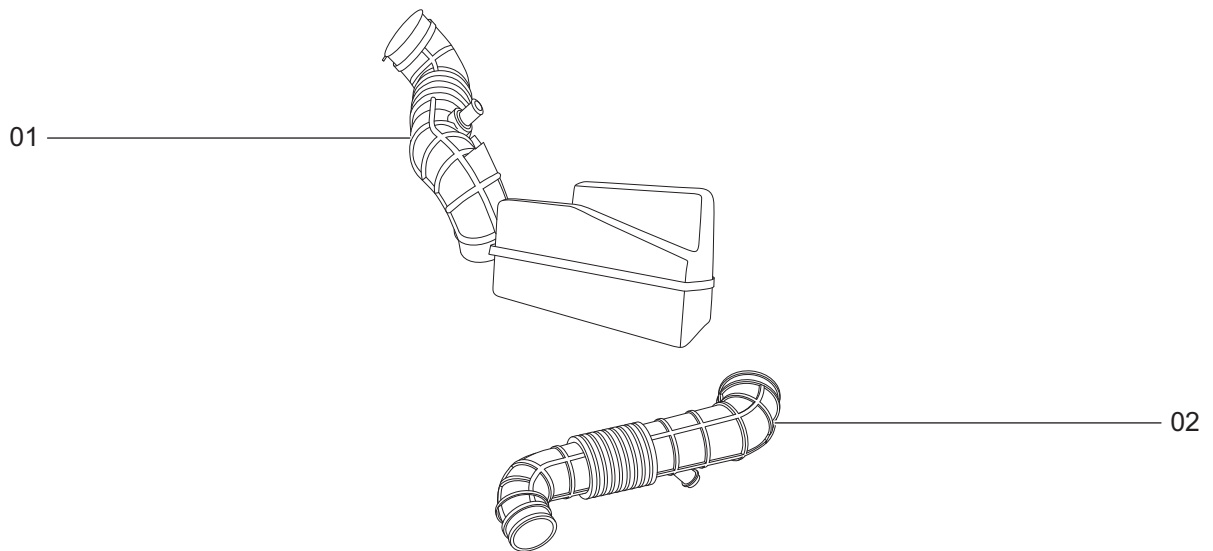
T19020091

No.	Part No.	Station No.	Station Name	Labour Time
01	T15-1301110	T19KKK13011102751	Remove and reinstall radiator assy	20
		Ex: T19KKK10000001650	Drain and fill antifreeze coolant	20
		Ex: T19KKK53005102751	Remove and reinstall tank UPR crossbeam assy - electrophoresis	30
		Ex: T19KKK20004832701	Remove and reinstall FR bumper UPR body - primer	50
02	302000440AA	T19KKK20004402751	Remove and reinstall engine water inlet pipe	30
		Ex: T19KKK10000001650	Drain and fill antifreeze coolant	20



T19020100

No.	Part No.	Station No.	Station Name	Labour Time
01	153000306AA	T19KKK30003062701	Remove and reinstall FR pipe assy	40
02	J60-1205030BC	T19KKK12050302701	Remove and reinstall master catalytic converter assy	30

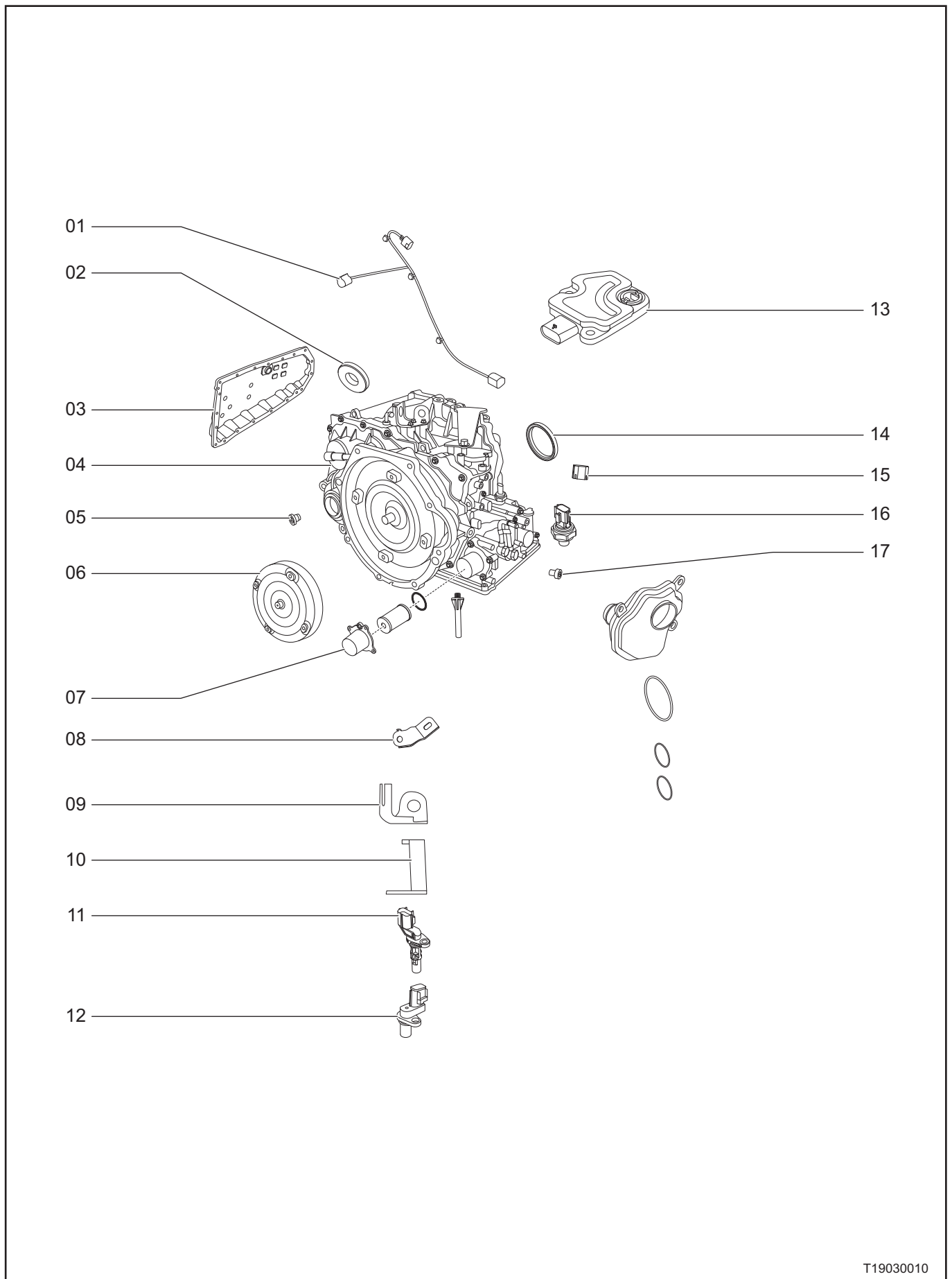


T19020110

No.	Part No.	Station No.	Station Name	Labour Time
01	151000101AA	T19KKK10001012701	Remove and reinstall Intake hose assy	30
02	151000055AA	T19KKK10000552701	Remove and reinstall Intake hose assy	30

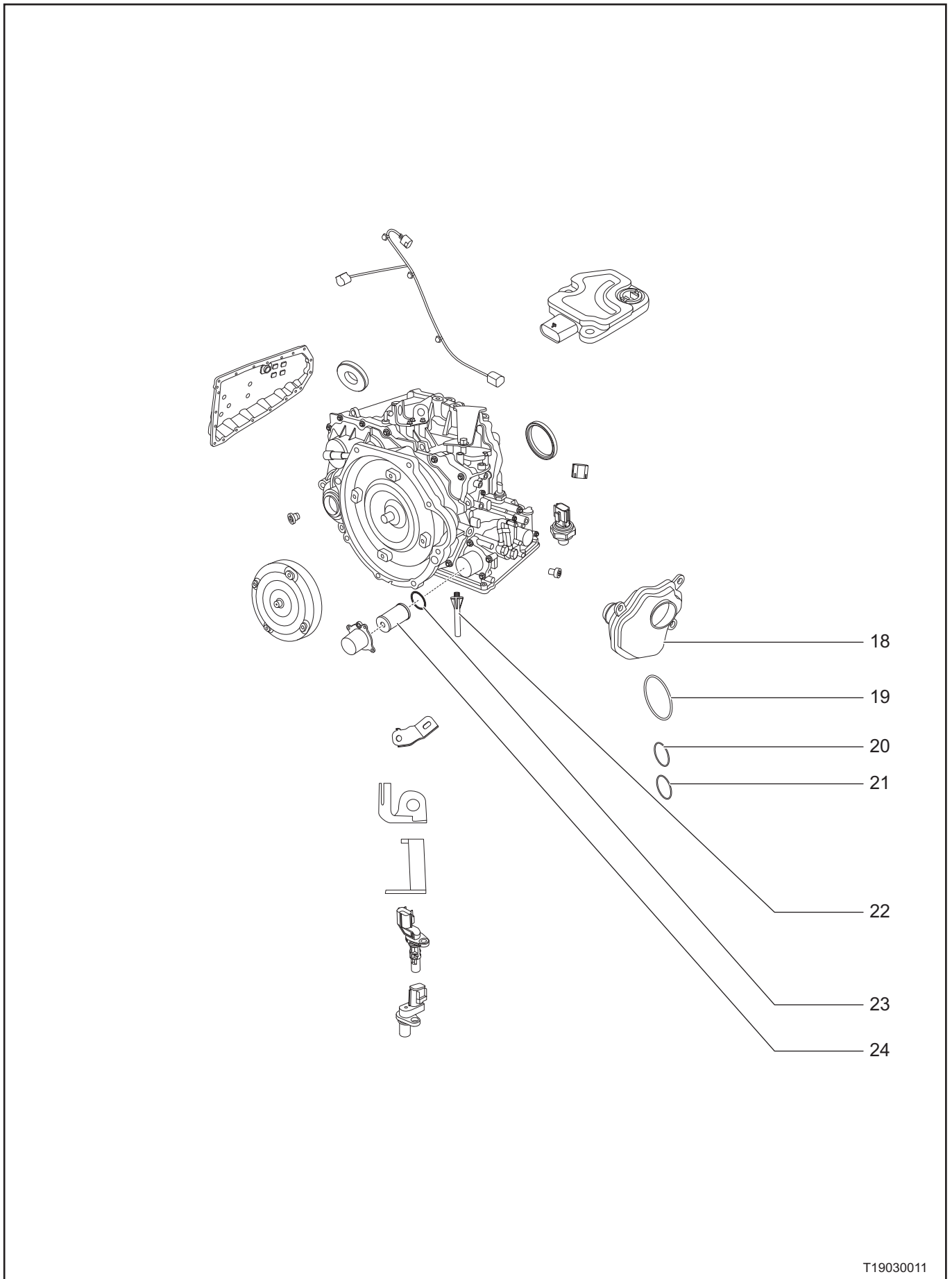
TRANSMISSION SHIFT MECHANISM

CVT18 transmission.....	03-2
517 transmission.....	03-6
Housing.....	03-8
Input shaft.....	03-12
Output shaft.....	03-18
Shift mechanism, fork.....	03-20
Differential.....	03-22
Reverse mechanism.....	03-24
Transmission accessory.....	03-26
Automatic transmission control unit.....	03-28
Clutch.....	03-30
Shift mechanism.....	03-32



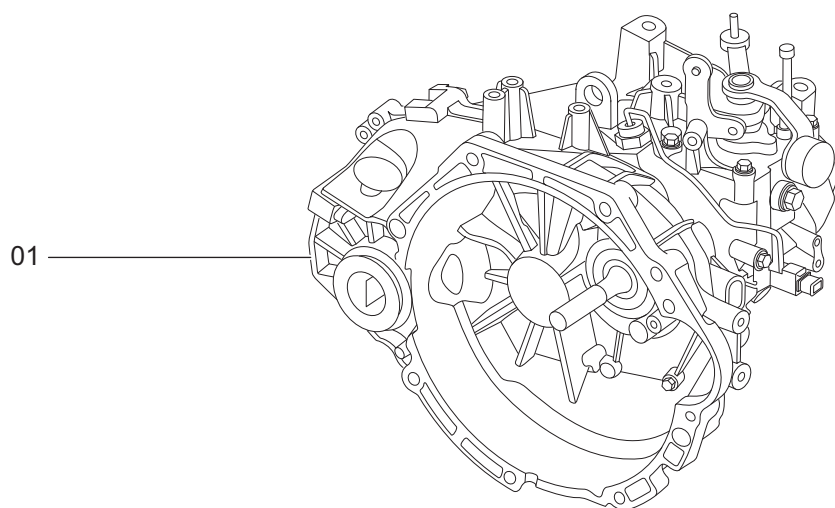
T19030010

No.	Part No.	Station No.	Station Name	Labour Time
01	OCF18B-1506500	T19C1815065002701	Remove and reinstall transmission peripheral wire harness assy	50
02	025CHA-1506522	T19C1815065222751	Remove and reinstall magnet	10
		Ex: T19C1815065212701	Remove and reinstall valve housing	70
03	025CHA-1506521	T19C1815065212701	Remove and reinstall valve housing	70
04	121000025AA	T19C1810000252701	Remove and reinstall transmission assy	400
		T19C1810000253651	Disassemble and reassemble transmission assy	300
		Ex: T19C1810000252701	Remove and reinstall transmission assy	400
05	OCF25B-1501113GA	T19C1815011132701	Remove and reinstall drain plug	20
06	OCF18A-1501120CA	T19C1815011202751	Remove and reinstall hydraulic torque converter assy	10
		Ex: T19C1810000252701	Remove and reinstall transmission assy	400
07	025CHA-1506501	T19C1815065012701	Remove and reinstall OTR filter housing	60
08	OCF18B-1504116	T19C1815041162701	Remove and reinstall wire harness bracket	50
09	OCF18B-1504111	T19C1815041112701	Remove and reinstall gear gear shift cable bracket	40
10	OCF18B-1504102	T19C1815041022701	Remove and reinstall gear shift arm	50
11	025CHA-1504230	T19C1815042302701	Remove and reinstall speed sensor	30
12	025CHA-1504240	T19C1815042402701	Remove and reinstall speed sensor assy - input pulley shaft	30
13	025CHA-1504220	T19C1815042202701	Remove and reinstall gear position sensor	50
14	025CHA-1502204	T19C1815022042751	Remove and reinstall oil seal - hydraulic torque converter	30
		Ex: T19C1815011202751	Remove and reinstall hydraulic torque converter assy	10
		Ex: T19C1810000252701	Remove and reinstall transmission assy	400
15	025CHA-1502126	T19C1815021262701	Remove and reinstall breather cap	10
16	025CHA-1504210	T19C1815042102701	Remove and reinstall oil pressure sensor assy	30
17	OCF25B-1501115GA	T19C1815011152751	Remove and reinstall overflow plug	10
		Ex: T19C1815011132701	Remove and reinstall drain plug	20



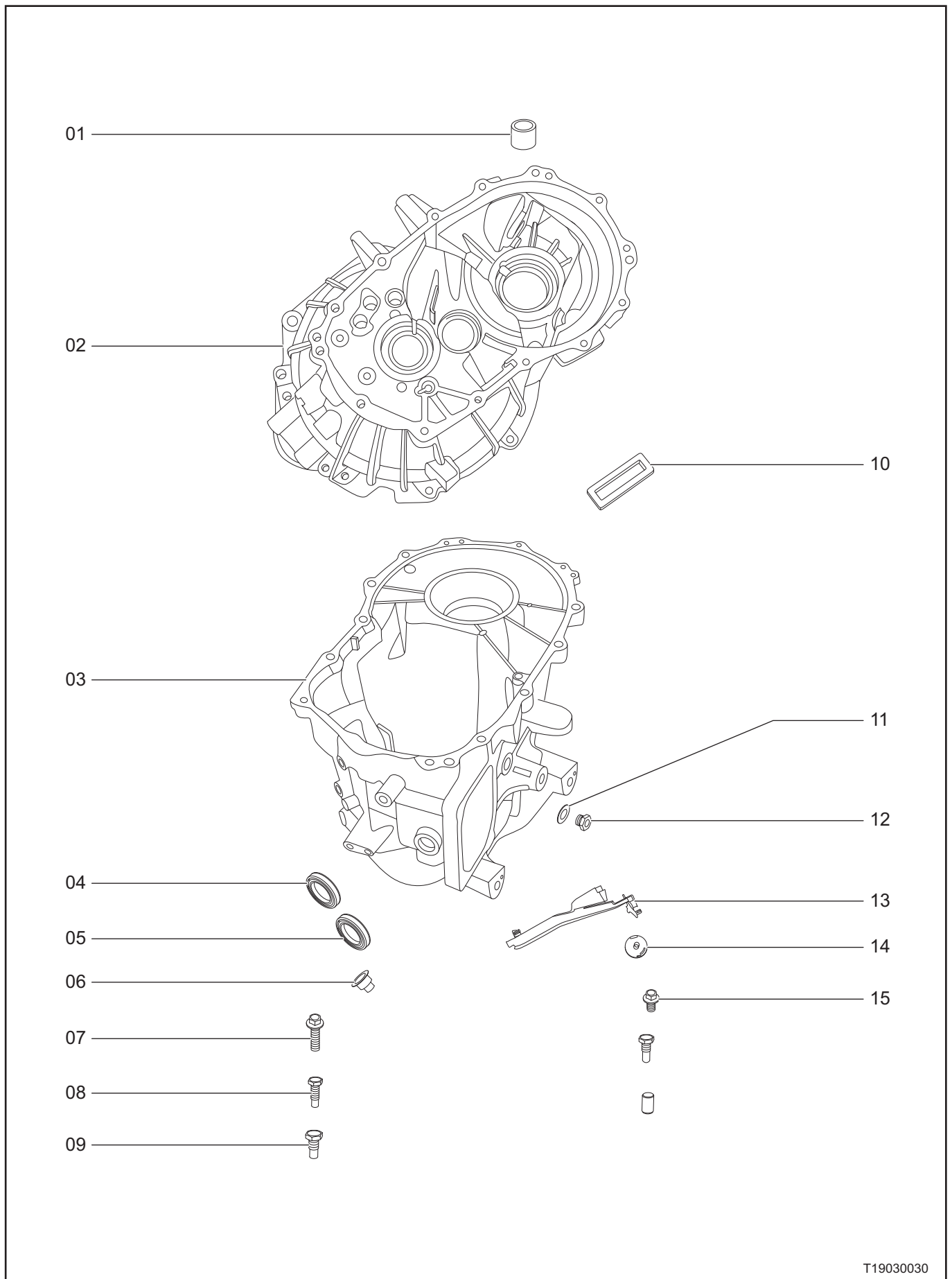
T19030011

No.	Part No.	Station No.	Station Name	Labour Time
18	025CHA-1506400	T19C1815064002701	Remove and reinstall filter assy - oil pump	70
19	025CHA-1509103	T19C1815091032751	Remove and reinstall o-ring - input shaft to hydraulic torque converter	30
		Ex: T19C1815011202751	Remove and reinstall hydraulic torque converter assy	10
		Ex: T19C1810000252701	Remove and reinstall transmission assy	400
20	6AF28A-1507072	T19C1815070722701	Remove and reinstall O-ring	40
21	6AF28A-1507082	T19C1815070822701	Remove and reinstall O-ring	30
22	0CF18A-1501111GA	T19C1815011112701	Remove and reinstall oil draining guide tube	20
23	025CHA-1506531	T19C1815065312751	Remove and reinstall gasket - OTR filter and transmission housing	0
		Ex: T19C1815065012701	Remove and reinstall OTR filter housing	60
24	025CHA-1506510	T19C1815065102751	Remove and reinstall OTR filter assy	0
		Ex: T19C1815065012701	Remove and reinstall OTR filter housing	60



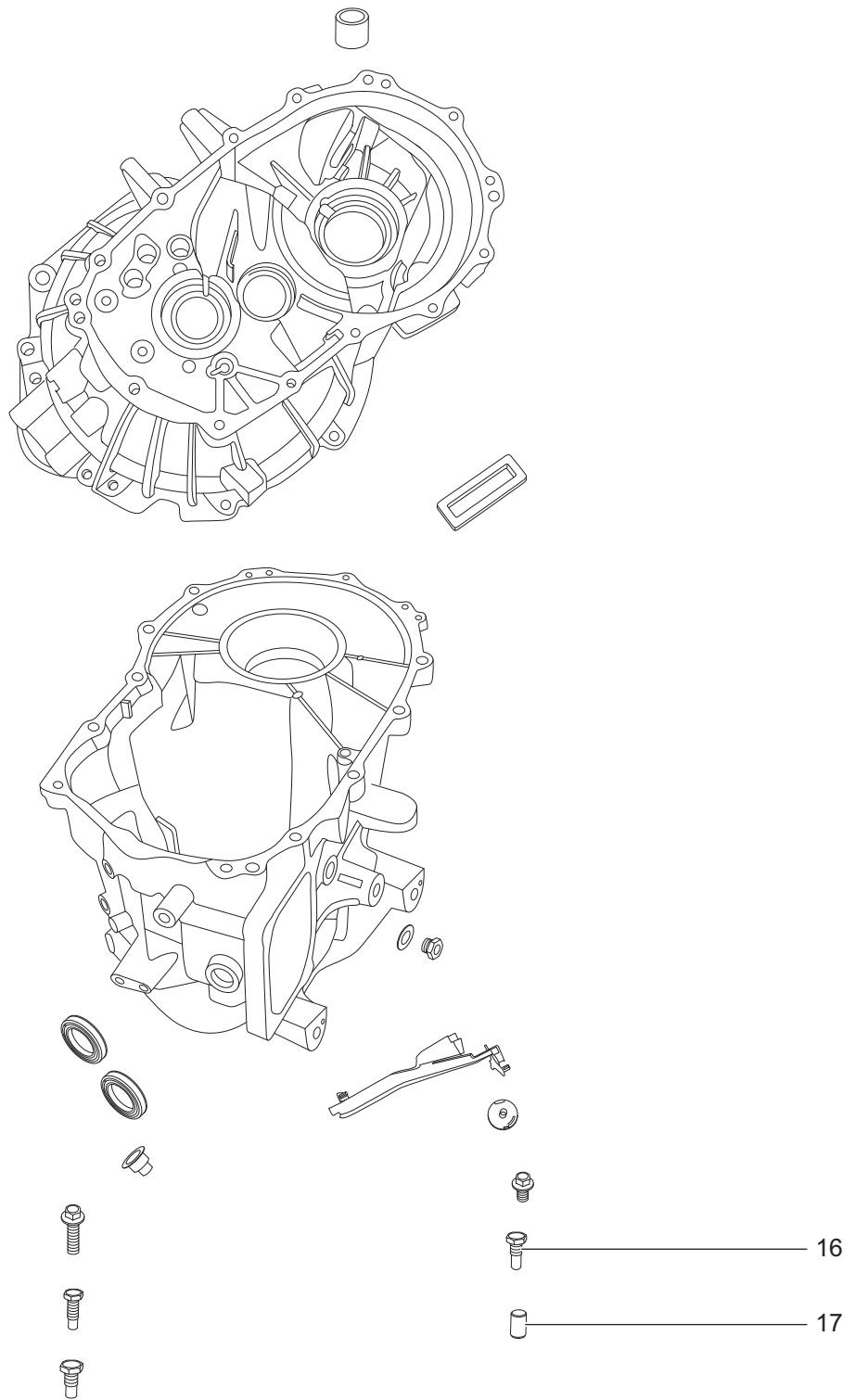
T19030020

No.	Part No.	Station No.	Station Name	Labour Time
01	122000008AA	T19M1720000082701	Remove and reinstall transmission assy	350
		T19M1720000083651	Disassemble and reassemble transmission assy	200
		Ex: T19M1720000082701	Remove and reinstall transmission assy	350



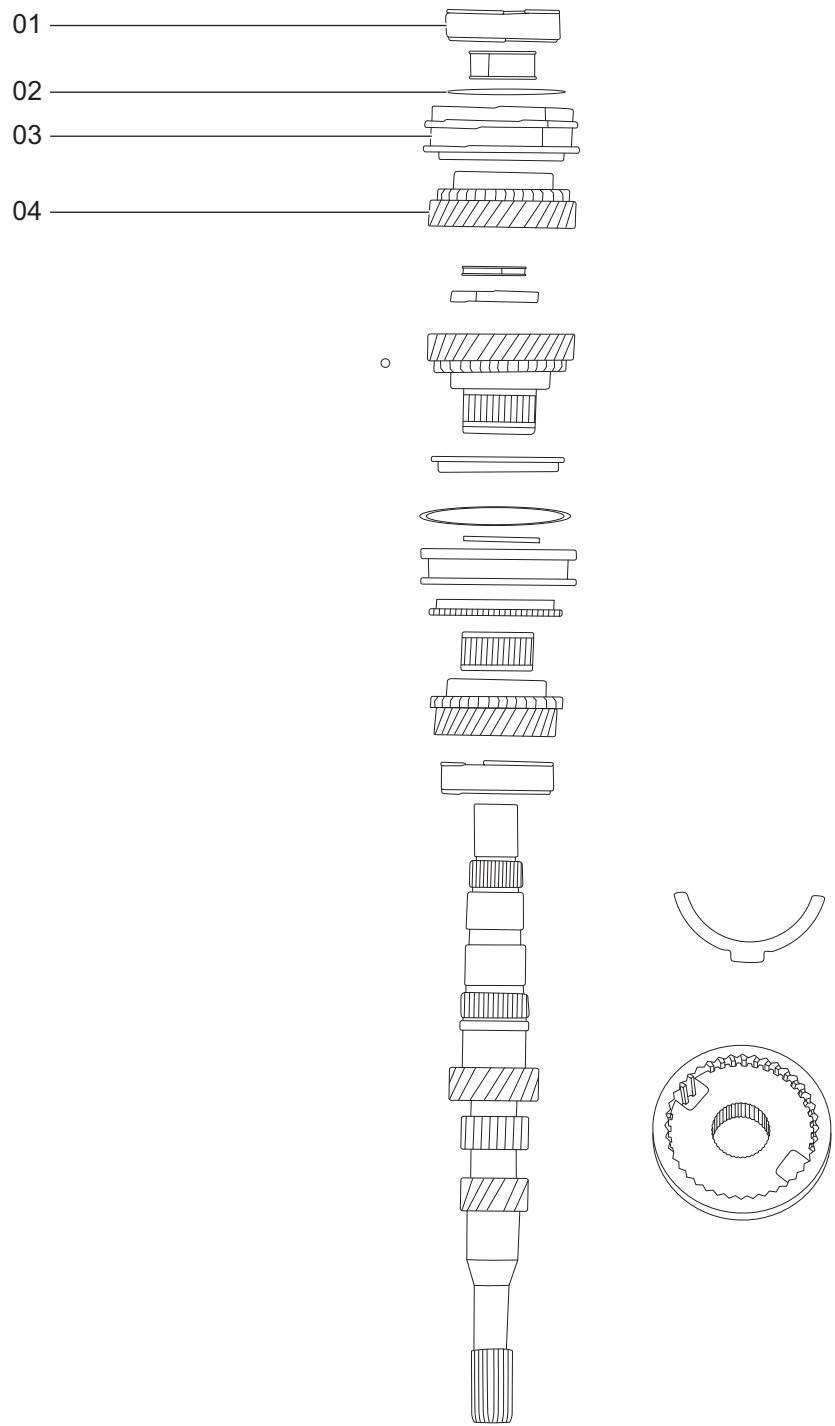
T19030030

No.	Part No.	Station No.	Station Name	Labour Time
01	5MF17B-1709481	T19M1717094812751	Remove and reinstall linear bearing	80
		Ex: T19M1717010152751	Remove and reinstall transmission housing	110
		Ex: T19M1720000082701	Remove and reinstall transmission assy	350
02	5MF17J-1601318	T19M1716013182751	Remove and reinstall clutch housing	130
		Ex: T19M1720000082701	Remove and reinstall transmission assy	350
03	5MF17J-1701015	T19M1717010152751	Remove and reinstall transmission housing	110
		Ex: T19M1720000082701	Remove and reinstall transmission assy	350
04	5MF17J-2303321	T19M1723033212751	Remove and reinstall differential oil seal	20
		Ex: T19KKK40002822701	Remove and reinstall FR drive shaft assy LH	80
05	6MF25-1701001-04	T19M1717010012751	Remove and reinstall input shaft oil seal	120
		Ex: T19M1720000082701	Remove and reinstall transmission assy	350
06	S170-1709125	T19M1717091252701	Remove and reinstall S170 oil seal plug	10
07	7A160-1701023	T19M1717010232701	Remove and reinstall coupling bolt	10
08	S160GII-1702162	T19M1717021622751	Remove and reinstall 1st & 2nd fork shaft locating seat	0
		Ex: T19M1717010152751	Remove and reinstall transmission housing	110
		Ex: T19M1720000082701	Remove and reinstall transmission assy	350
09	S160GII-1702166	T19M1717021662751	Remove and reinstall 5th & reverse fork shaft locating seat	0
		Ex: T19M1717010152751	Remove and reinstall transmission housing	110
		Ex: T19M1720000082701	Remove and reinstall transmission assy	350
10	7A160-1701026	T19M1717010262751	Remove and reinstall magnetic body	0
		Ex: T19M1720000083651	Disassemble and reassemble transmission assy	200
		Ex: T19M1720000082701	Remove and reinstall transmission assy	350
11	7A160-Q72318	T19M1760723182701	Remove and reinstall drain plug aluminum washer	10
12	S148-61811	T19M1748618112701	Remove and reinstall drain plug	10
13	5MF17J-1701024	T19M1717010242751	Remove and reinstall oil guide slot	20
		Ex: T19M1717010152751	Remove and reinstall transmission housing	110
		Ex: T19M1720000082701	Remove and reinstall transmission assy	350
14	7A160-1701146	T19M1717011462751	Remove and reinstall oil guide end gasket	10
		Ex: T19M1716013182751	Remove and reinstall clutch housing	130
		Ex: T19M1720000082701	Remove and reinstall transmission assy	350
15	7A160-1701223	T19M1717012232701	Remove and reinstall odometer coupling bolt	10



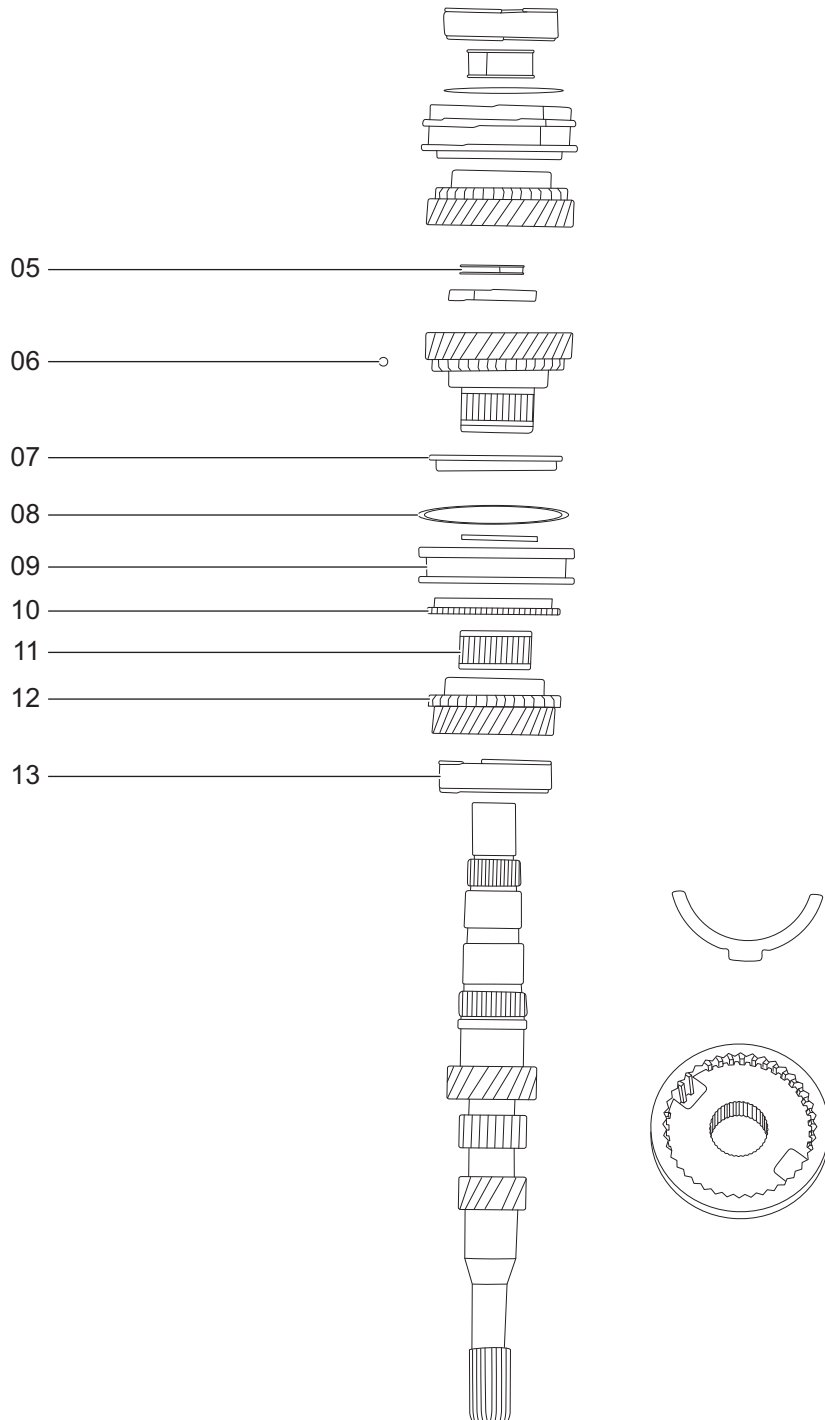
T19030031

No.	Part No.	Station No.	Station Name	Labour Time
16	S170F01-1702164	T19M1717021642751	Remove and reinstall 3rd & 4th fork shaft locating seat	0
		Ex: T19M1717010152751	Remove and reinstall transmission housing	110
		Ex: T19M1720000082701	Remove and reinstall transmission assy	350
17	7A160-1701028	T19M1717010282751	Remove and reinstall locating pin	10
		Ex: T19M1716013182751	Remove and reinstall clutch housing	130
		Ex: T19M1720000082701	Remove and reinstall transmission assy	350



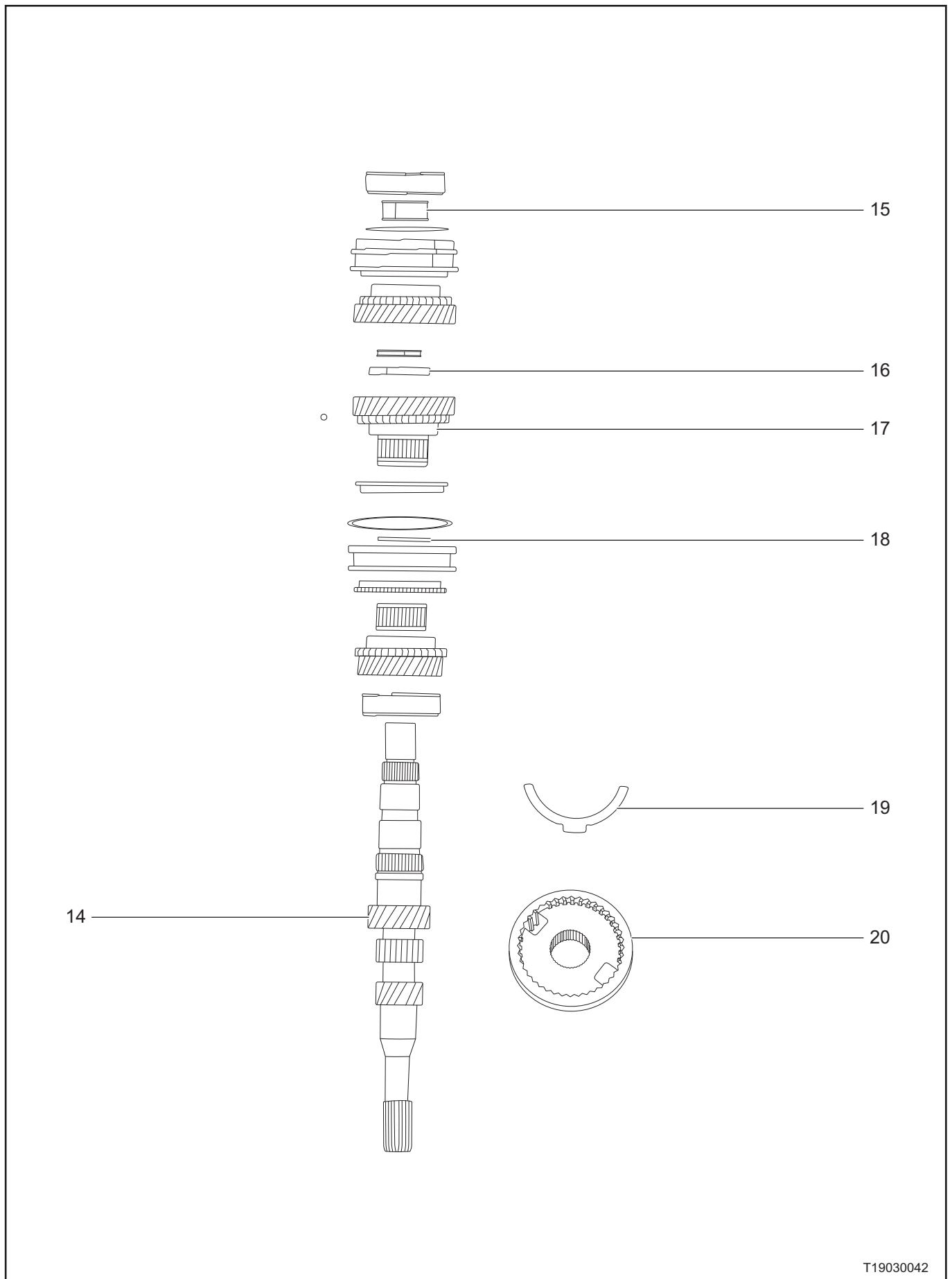
T19030040

No.	Part No.	Station No.	Station Name	Labour Time
01	7A160-1701049	T19M1717010492751	Remove and reinstall input shaft RR bearing	0
		Ex: T19M1717010412751	Remove and reinstall input shaft	70
		Ex: T19M1717010152751	Remove and reinstall transmission housing	110
		Ex: T19M1720000082701	Remove and reinstall transmission assy	350
02	7A160-1701029-201	T19M1717010292751	Remove and reinstall input shaft adjusting washer	0
		Ex: T19M1717010412751	Remove and reinstall input shaft	70
		Ex: T19M1717010152751	Remove and reinstall transmission housing	110
	7A160-1701029-209	T19M1717010292752	Remove and reinstall input shaft adjusting washer	0
		Ex: T19M1717010412751	Remove and reinstall input shaft	70
		Ex: T19M1717010152751	Remove and reinstall transmission housing	110
	7A160-1701029-217	T19M1717010292753	Remove and reinstall input shaft adjusting washer	0
		Ex: T19M1717010412751	Remove and reinstall input shaft	70
		Ex: T19M1717010152751	Remove and reinstall transmission housing	110
	7A160-1701029-225	T19M1717010292754	Remove and reinstall input shaft adjusting washer	0
		Ex: T19M1717010412751	Remove and reinstall input shaft	70
		Ex: T19M1717010152751	Remove and reinstall transmission housing	110
7A160-1701029-233	T19M1717010292755	Remove and reinstall input shaft adjusting washer	0	
	Ex: T19M1717010412751	Remove and reinstall input shaft	70	
	Ex: T19M1717010152751	Remove and reinstall transmission housing	110	
7A160-1701029-240	T19M1717010292761	Remove and reinstall input shaft adjusting washer	0	
	Ex: T19M1717010412751	Remove and reinstall input shaft	70	
	Ex: T19M1717010152751	Remove and reinstall transmission housing	110	
03	5MF17A02-1701076	T19M1717010762751	Remove and reinstall 5th & reverse lever synchronizer ring	0
		Ex: T19M1717010412751	Remove and reinstall input shaft	70
		Ex: T19M1717010152751	Remove and reinstall transmission housing	110
		Ex: T19M1720000082701	Remove and reinstall transmission assy	350
04	5MF17A02-1701057AB	T19M1717010572751	Remove and reinstall input shaft 5th gear assy	0
		Ex: T19M1717010412751	Remove and reinstall input shaft	70
		Ex: T19M1717010152751	Remove and reinstall transmission housing	110
		Ex: T19M1720000082701	Remove and reinstall transmission assy	350



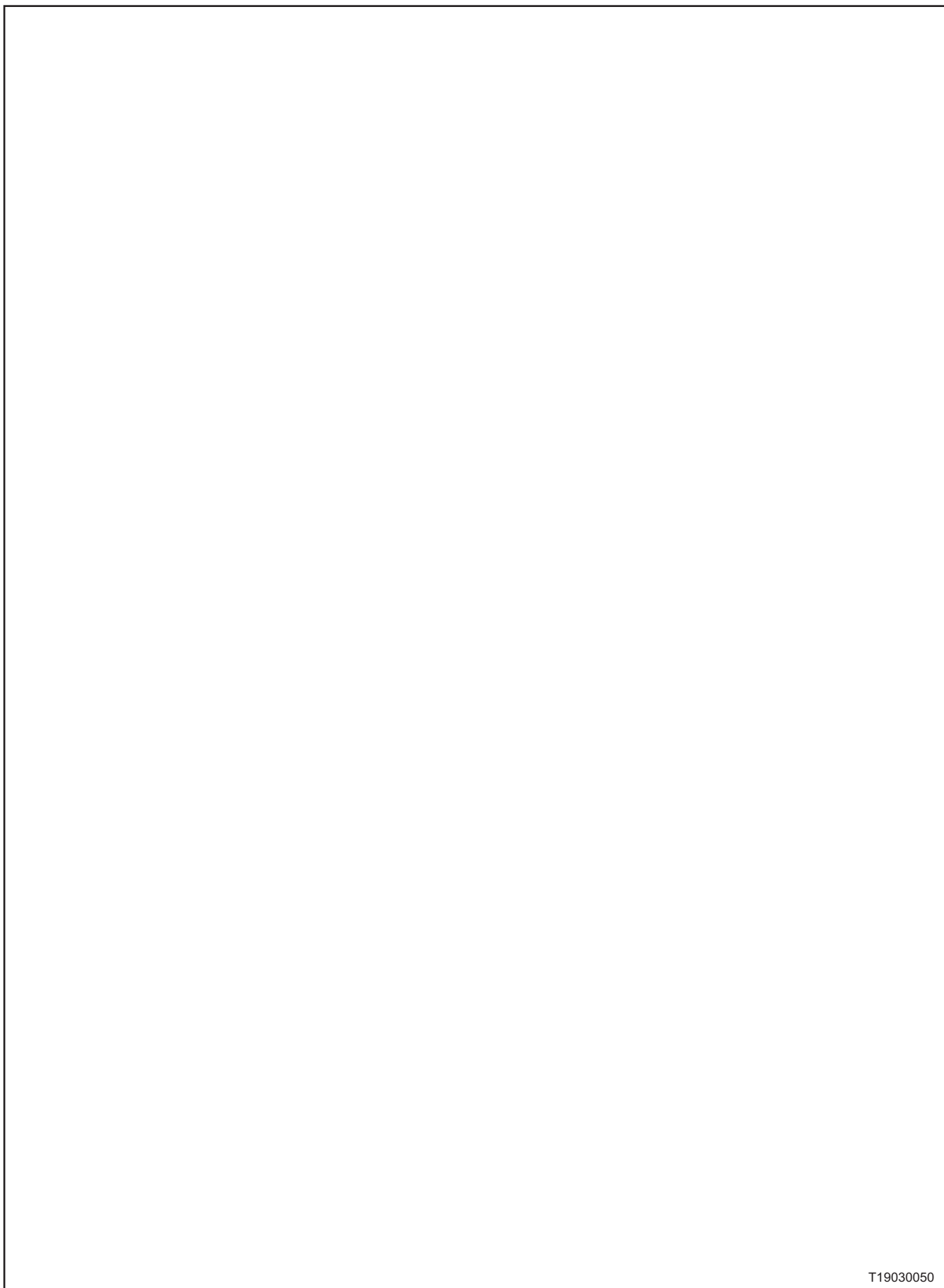
T19030041

No.	Part No.	Station No.	Station Name	Labour Time
05	7A160-1701046	T19M1717010462751	Remove and reinstall input shaft 4th gear axial end retainer	0
		Ex: T19M1717010412751	Remove and reinstall input shaft	70
		Ex: T19M1717010152751	Remove and reinstall transmission housing	110
		Ex: T19M1720000082701	Remove and reinstall transmission assy	350
06	7A160-1701045	T19M1717010452751	Remove and reinstall input shaft 4th gear axial end washer locating ball	0
		Ex: T19M1717010412751	Remove and reinstall input shaft	70
		Ex: T19M1717010152751	Remove and reinstall transmission housing	110
		Ex: T19M1720000082701	Remove and reinstall transmission assy	350
07	7A160-1701067	T19M1717010672751	Remove and reinstall 4th gear synchronizer ring gear	0
		Ex: T19M1717010412751	Remove and reinstall input shaft	70
		Ex: T19M1717010152751	Remove and reinstall transmission housing	110
		Ex: T19M1720000082701	Remove and reinstall transmission assy	350
08	7A160-1701043	T19M1717010432751	Remove and reinstall input 2nd, input 4th gear needle roller bearing spacer ring	0
		Ex: T19M1717010412751	Remove and reinstall input shaft	70
		Ex: T19M1717010152751	Remove and reinstall transmission housing	110
		Ex: T19M1720000082701	Remove and reinstall transmission assy	350
09	S170-1701060	T19M1717010602751	Remove and reinstall 3rd & 4th synchronizer assy	0
		Ex: T19M1717010412751	Remove and reinstall input shaft	70
		Ex: T19M1717010152751	Remove and reinstall transmission housing	110
		Ex: T19M1720000082701	Remove and reinstall transmission assy	350
10	7A160-1701066AC	T19M1717010662751	Remove and reinstall 3th gear synchronizer ring gear	0
		Ex: T19M1717010412751	Remove and reinstall input shaft	70
		Ex: T19M1717010152751	Remove and reinstall transmission housing	110
		Ex: T19M1720000082701	Remove and reinstall transmission assy	350
11	S170F01-1703921	T19M1717039212751	Remove and reinstall input shaft 3rd and 4th gear needle roller bearing	0
		Ex: T19M1717010412751	Remove and reinstall input shaft	70
		Ex: T19M1717010152751	Remove and reinstall transmission housing	110
		Ex: T19M1720000082701	Remove and reinstall transmission assy	350
12	5MF17J-1701050	T19M1717010502751	Remove and reinstall input shaft 3rd gear assy	0
		Ex: T19M1717010412751	Remove and reinstall input shaft	70
		Ex: T19M1717010152751	Remove and reinstall transmission housing	110
		Ex: T19M1720000082701	Remove and reinstall transmission assy	350
13	7A160-1701048	T19M1717010482751	Remove and reinstall input shaft front bearing	0
		Ex: T19M1717010412751	Remove and reinstall input shaft	70
		Ex: T19M1717010152751	Remove and reinstall transmission housing	110
		Ex: T19M1720000082701	Remove and reinstall transmission assy	350



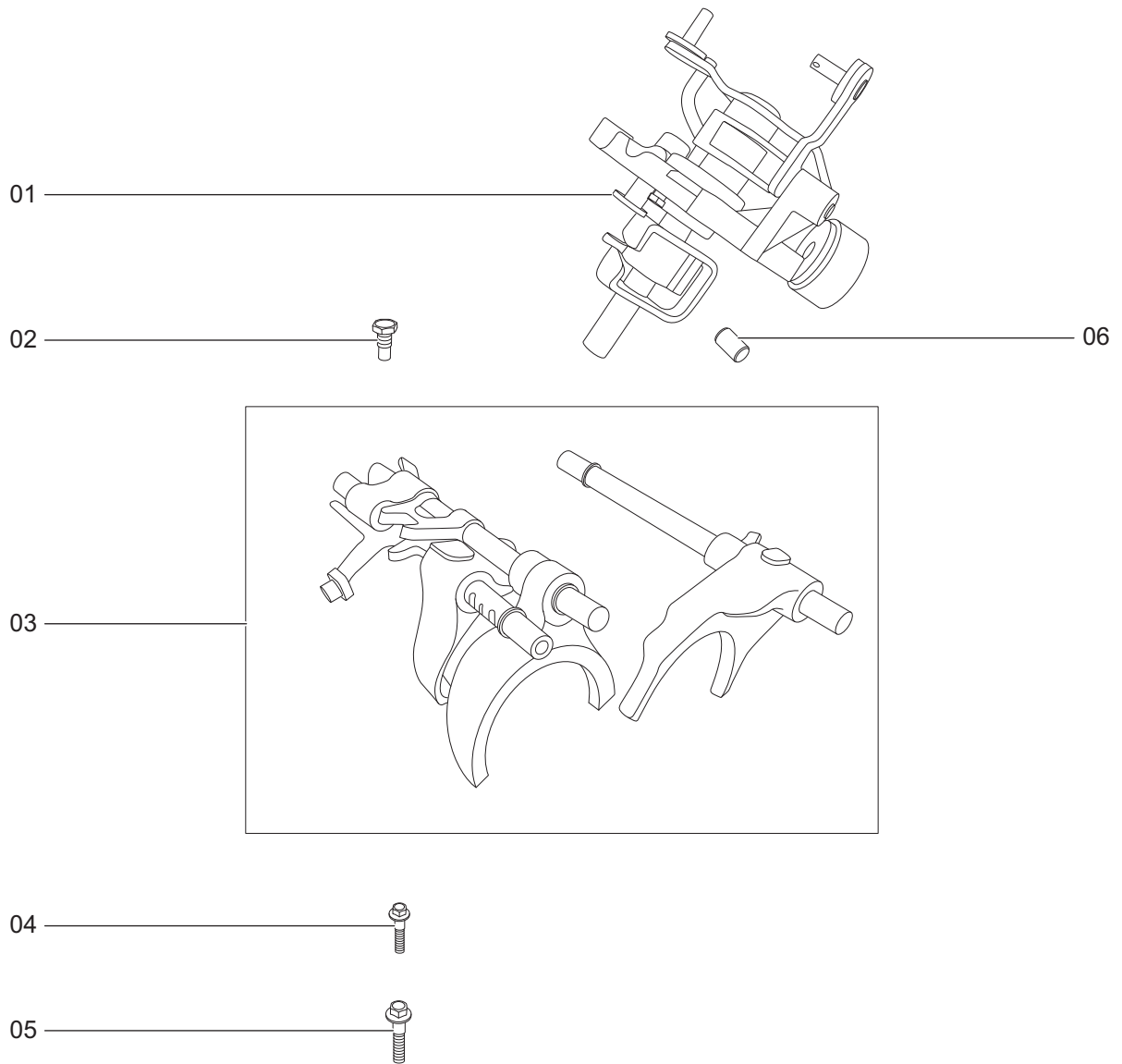
T19030042

No.	Part No.	Station No.	Station Name	Labour Time
14	5MF17J-1701041	T19M1717010412751	Remove and reinstall input shaft	70
		Ex: T19M1717010152751	Remove and reinstall transmission housing	110
		Ex: T19M1720000082701	Remove and reinstall transmission assy	350
15	5MF17A02-1709707	T19M1717097072751	Remove and reinstall input shaft RR bearing sleeve	0
		Ex: T19M1717010412751	Remove and reinstall input shaft	70
		Ex: T19M1717010152751	Remove and reinstall transmission housing	110
		Ex: T19M1720000082701	Remove and reinstall transmission assy	350
16	7A160-1701044	T19M1717010442751	Remove and reinstall input shaft 4th gear axial thrust washer	0
		Ex: T19M1717010412751	Remove and reinstall input shaft	70
		Ex: T19M1717010152751	Remove and reinstall transmission housing	110
		Ex: T19M1720000082701	Remove and reinstall transmission assy	350
17	5MF17J-1701053	T19M1717010532751	Remove and reinstall input shaft 4th gear assy	0
		Ex: T19M1717010412751	Remove and reinstall input shaft	70
		Ex: T19M1717010152751	Remove and reinstall transmission housing	110
		Ex: T19M1720000082701	Remove and reinstall transmission assy	350
18	7A160-1701042	T19M1717010422751	Remove and reinstall 1st & 2nd, 3rd & 4th synchronizer gear hub retainer (3.5)	0
		Ex: T19M1717010412751	Remove and reinstall input shaft	70
		Ex: T19M1717010152751	Remove and reinstall transmission housing	110
		Ex: T19M1720000082701	Remove and reinstall transmission assy	350
19	5MF17A02-1701483	T19M1717014832751	Remove and reinstall lever	0
		Ex: T19M1717010152751	Remove and reinstall transmission housing	110
		Ex: T19M1720000082701	Remove and reinstall transmission assy	350
20	5MF17A02-1701070	T19M1717010702751	Remove and reinstall 5th & reverse synchronizer assy	0
		Ex: T19M1717010412751	Remove and reinstall input shaft	70
		Ex: T19M1717010152751	Remove and reinstall transmission housing	110
		Ex: T19M1720000082701	Remove and reinstall transmission assy	350



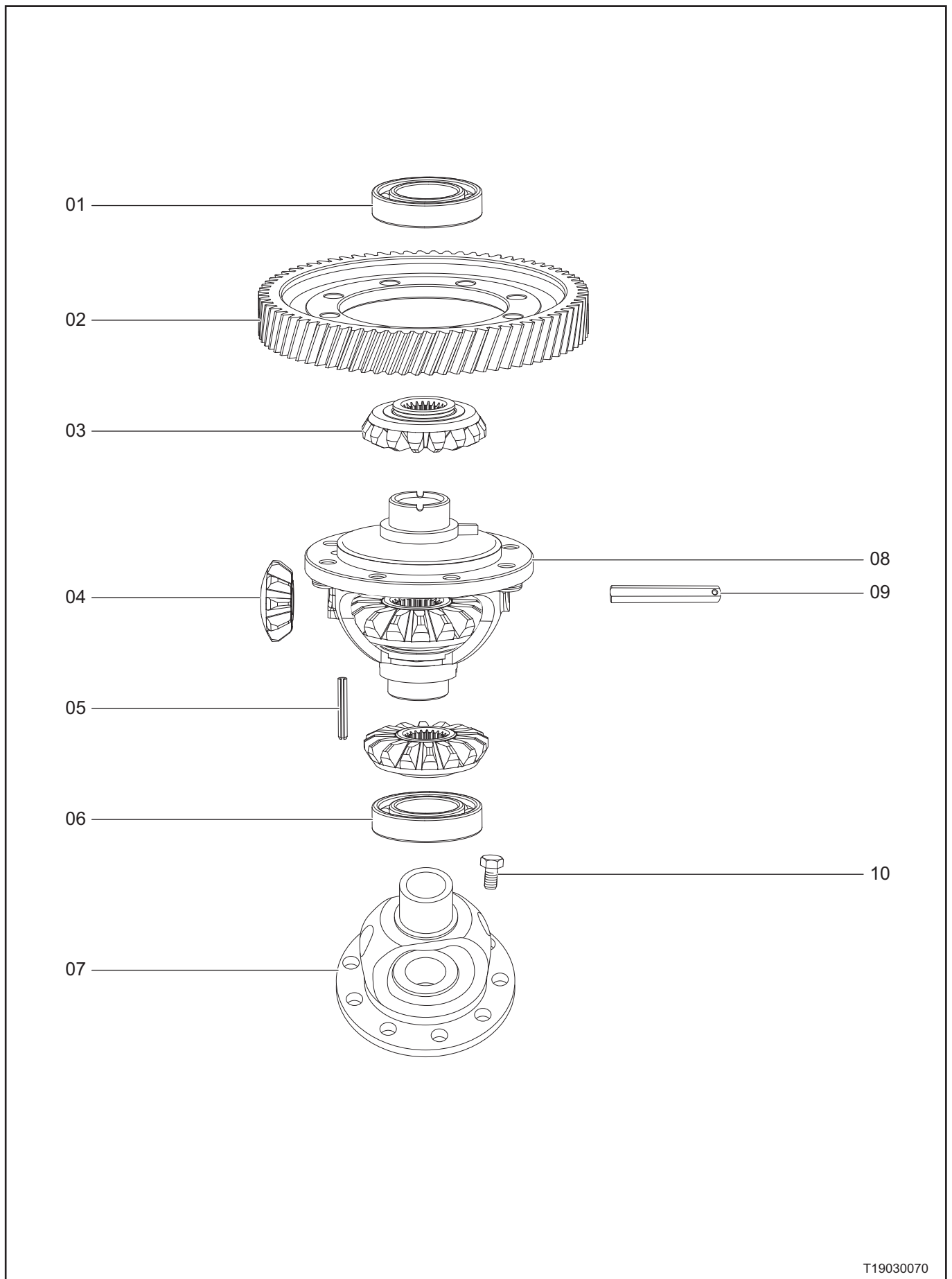
T19030050

No.	Part No.	Station No.	Station Name	Labour Time
01	5MF17J-1701100	T19M1717011002751	Remove and reinstall output shaft assy	0
		Ex: T19M1717010152751	Remove and reinstall transmission housing	110
		Ex: T19M1720000082701	Remove and reinstall transmission assy	350



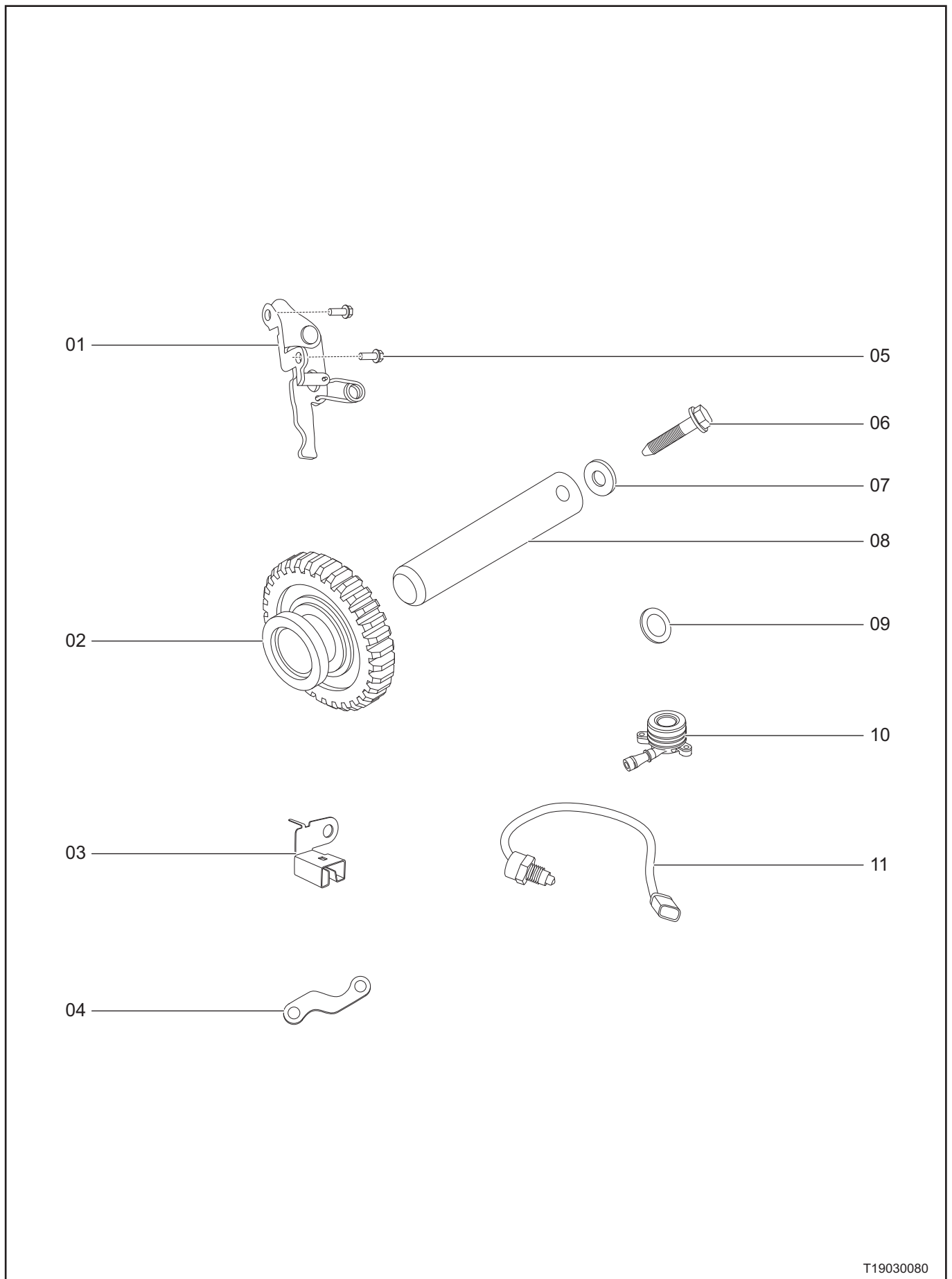
T19030060

No.	Part No.	Station No.	Station Name	Labour Time
01	5MF17J-1700531	T19M1717005312701	Remove and reinstall shift cover assy	30
02	5MF15-1702160	T19M1717021602701	Remove and reinstall shift locating mechanism assy	60
03	5MF17J-1702000	T19M1717020002751	Remove and reinstall shift fork shaft assy	0
		Ex: T19M1717010152751	Remove and reinstall transmission housing	110
		Ex: T19M1720000082701	Remove and reinstall transmission assy	350
04	7A160-1701094	T19M1717010942701	Remove and reinstall reverse intermediate shaft fixing bolt (plain) 8x35	30
05	7A160-60830	T19M1760608302701	Remove and reinstall shift cover tightening bolt 8x30	10
06	7A160-1702016	T19M1717020162701	Remove and reinstall shift locating sleeve pin	30
	5MF17J-1702001	T19M1717020012751	Remove and reinstall one, two shift fork shaft assy	0
		Ex: T19M1717010152751	Remove and reinstall transmission housing	110
		Ex: T19M1720000082701	Remove and reinstall transmission assy	350
	5MF17J-1702002	T19M1717020022751	Remove and reinstall third and fourth shift fork shaft assy	0
		Ex: T19M1717010152751	Remove and reinstall transmission housing	110
		Ex: T19M1720000082701	Remove and reinstall transmission assy	350
	5MF17J-1702003	T19M1717020032751	Remove and reinstall five reverse shift fork shaft assy	0
		Ex: T19M1717010152751	Remove and reinstall transmission housing	110
		Ex: T19M1720000082701	Remove and reinstall transmission assy	350



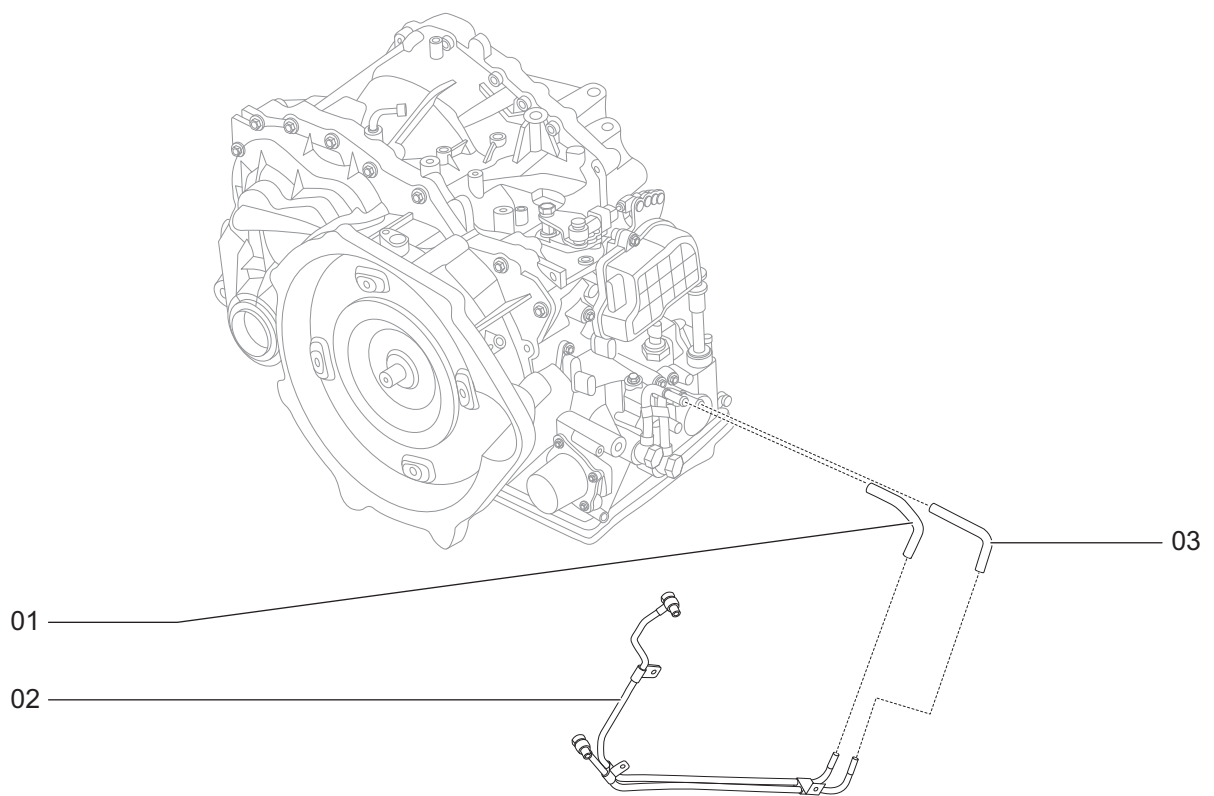
T19030070

No.	Part No.	Station No.	Station Name	Labour Time
01	S170F01-1700181	T19M1717001812751	Remove and reinstall differential RR bearing	0
		Ex: T19M1723033012751	Remove and reinstall differential housing	80
		Ex: T19M1723033102761	Remove and reinstall differential set	50
		Ex: T19M1720000082701	Remove and reinstall transmission assy	350
02	5MF17E-2303308	T19M1723033082751	Remove and reinstall differential gear ring	0
		Ex: T19M1723033012751	Remove and reinstall differential housing	80
		Ex: T19M1723033102761	Remove and reinstall differential set	50
		Ex: T19M1720000082701	Remove and reinstall transmission assy	350
03	5MF17A-2303302	T19M1723033022751	Remove and reinstall drive shaft gear	0
		Ex: T19M1723033012751	Remove and reinstall differential housing	80
		Ex: T19M1723033102761	Remove and reinstall differential set	50
		Ex: T19M1720000082701	Remove and reinstall transmission assy	350
04	5MF17A-2303303	T19M1723033032751	Remove and reinstall planetary gear	0
		Ex: T19M1723033012751	Remove and reinstall differential housing	80
		Ex: T19M1723033102761	Remove and reinstall differential set	50
		Ex: T19M1720000082701	Remove and reinstall transmission assy	350
05	7A160-2303310	T19M1723033102751	Remove and reinstall planetary gear shaft elastic cylindrical pin	0
		Ex: T19M1723033012751	Remove and reinstall differential housing	80
		Ex: T19M1723033102761	Remove and reinstall differential set	50
		Ex: T19M1720000082701	Remove and reinstall transmission assy	350
06	S170F01-1703157	T19M1717031572751	Remove and reinstall differential FR bearing	0
		Ex: T19M1723033012751	Remove and reinstall differential housing	80
		Ex: T19M1723033102761	Remove and reinstall differential set	50
		Ex: T19M1720000082701	Remove and reinstall transmission assy	350
07	5MF17A-2303301	T19M1723033012751	Remove and reinstall differential housing	80
		Ex: T19M1723033102761	Remove and reinstall differential set	50
		Ex: T19M1720000082701	Remove and reinstall transmission assy	350
08	5MF17A-2303310	T19M1723033102761	Remove and reinstall differential set	50
		Ex: T19M1720000082701	Remove and reinstall transmission assy	350
09	S148-2303304	T19M1723033042751	Remove and reinstall planetary gear shaft	0
		Ex: T19M1723033012751	Remove and reinstall differential housing	80
		Ex: T19M1723033102761	Remove and reinstall differential set	50
		Ex: T19M1720000082701	Remove and reinstall transmission assy	350
10	7A160-2303311	T19M1723033112751	Remove and reinstall differential gear ring tightening bolt	0
		Ex: T19M1723033012751	Remove and reinstall differential housing	80
		Ex: T19M1723033102761	Remove and reinstall differential set	50
		Ex: T19M1720000082701	Remove and reinstall transmission assy	350



T19030080

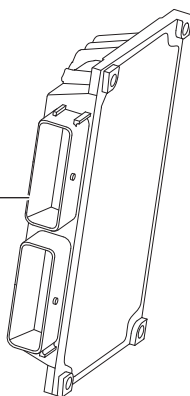
No.	Part No.	Station No.	Station Name	Labour Time
01	5MF17D-1702040	T19M1717020402751	Remove and reinstall reverse swing arm assy	0
		Ex: T19M1717010152751	Remove and reinstall transmission housing	110
		Ex: T19M1720000082701	Remove and reinstall transmission assy	350
02	5MF17J-1701080	T19M1717010802751	Remove and reinstall reverse intermediate gear assy	0
		Ex: T19M1717010152751	Remove and reinstall transmission housing	110
		Ex: T19M1720000082701	Remove and reinstall transmission assy	350
03	5MF17J-1702014	T19M1717020142701	Remove and reinstall reverse light switch wire harness bracket	10
04	7A160-1702045	T19M1717020452751	Remove and reinstall reverse swing arm bracket gasket	0
		Ex: T19M1717010152751	Remove and reinstall transmission housing	110
		Ex: T19M1720000082701	Remove and reinstall transmission assy	350
05	7A160-1702047	T19M1717020472751	Remove and reinstall reverse swing arm bracket fixing bolt	0
		Ex: T19M1717010152751	Remove and reinstall transmission housing	110
		Ex: T19M1720000082701	Remove and reinstall transmission assy	350
06	S170F01-1701094	T19M1717010942751	Remove and reinstall reverse intermediate gear shaft fixing bolt	0
		Ex: T19M1717010152751	Remove and reinstall transmission housing	110
		Ex: T19M1720000082701	Remove and reinstall transmission assy	350
07	7A160-1701096	T19M1717010962701	Remove and reinstall aluminum sealing ring	10
08	S170F01-1701092	T19M1717010922751	Remove and reinstall reverse intermediate gear shaft	0
		Ex: T19M1717010152751	Remove and reinstall transmission housing	110
		Ex: T19M1720000082701	Remove and reinstall transmission assy	350
09	S170F01-1701088	T19M1717010882701	Remove and reinstall reverse stopper nylon washer	20
10	119000027AA	T19M1790000272751	Remove and reinstall hydraulic release bearing	20
		Ex: T19M1720000082701	Remove and reinstall transmission assy	350
11	5MF17J-3719100	T19M1737191002701	Remove and reinstall reverse switch assy	20



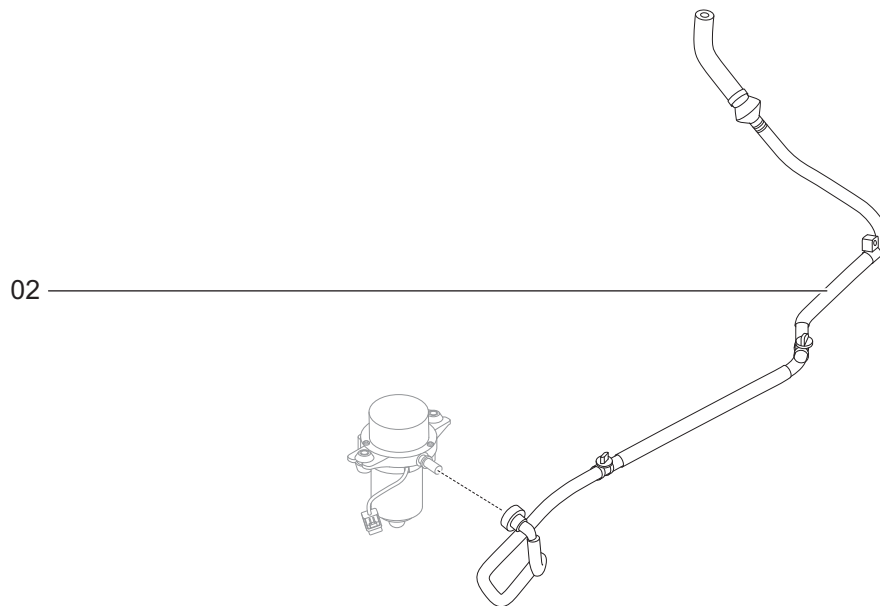
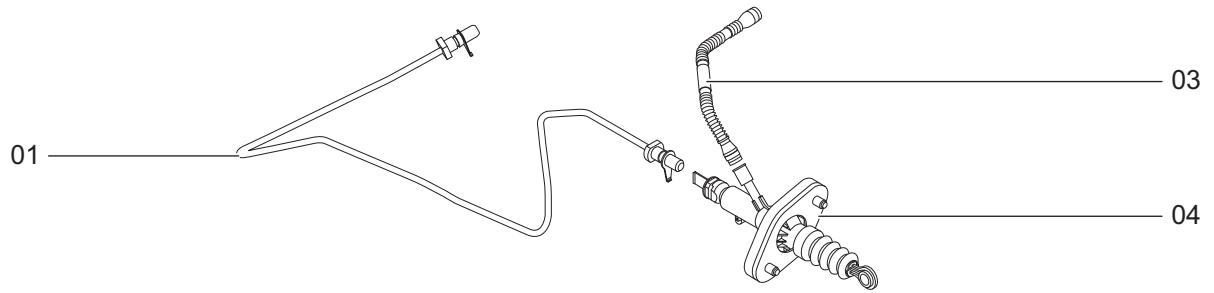
T19030090

No.	Part No.	Station No.	Station Name	Labour Time
01	123000050AA	T19KKK30000502701	Remove and reinstall transmission cooling hose II	50
02	123000051AA	T19KKK30000512701	Remove and reinstall transmission cooling oil pipe assy	60
03	123000049AA	T19KKK30000492701	Remove and reinstall transmission cooling hose I	50

01

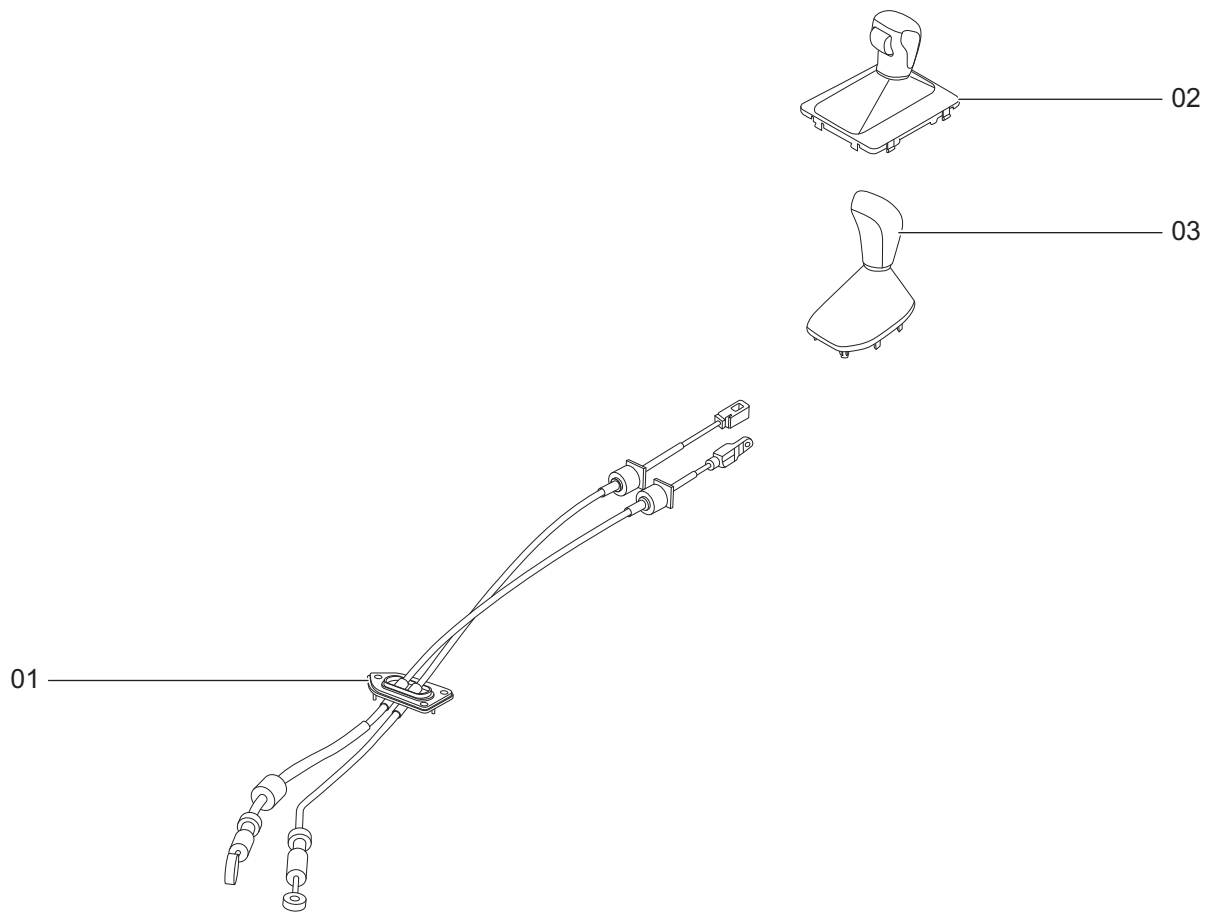


T19030100



T19030110

No.	Part No.	Station No.	Station Name	Labour Time
01	152000027AA	T19KKK20000272751	Remove and reinstall clutch pipe assy	50
		Ex: T19KKK10000001680	Apply clutch hydraulic pressure and bleed	20
02	159000046AA	T19KKK90000462701	Remove and reinstall connecting pipe assy - vacuum pump	50
03	J42-1602060BA	T19KKK16020602701	Remove and reinstall master cylinder oil inlet hose assy	30
04	152000022AA	T19KKK20000222751	Remove and reinstall clutch master cylinder assy	40
		Ex: T19KKK10000001680	Apply clutch hydraulic pressure and bleed	20

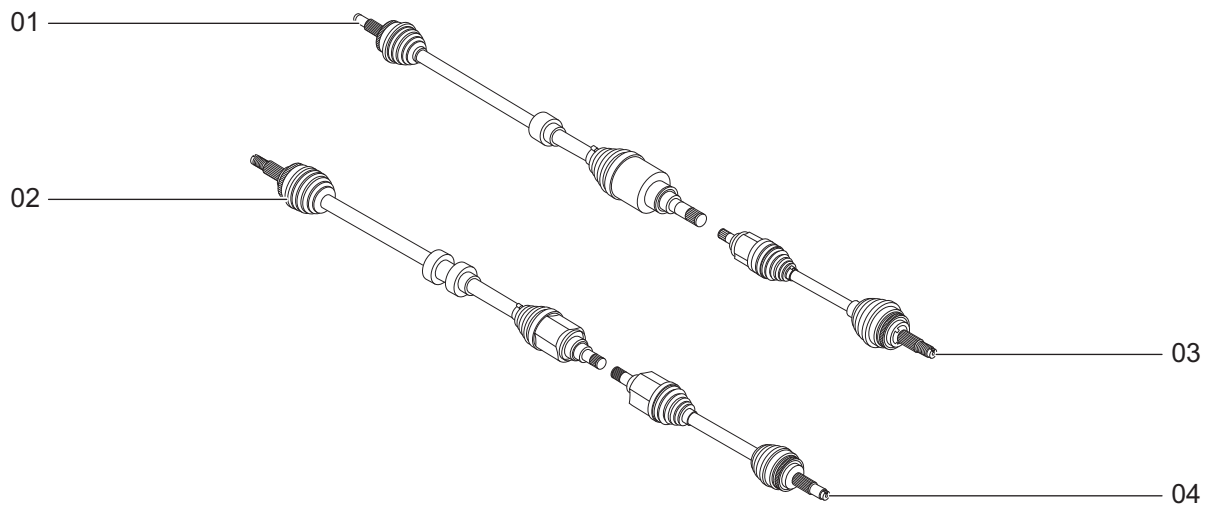


T19030120

No.	Part No.	Station No.	Station Name	Labour Time
01	156000234AA	T19KKK60002342751	Remove and reinstall gear select & shift cable assy	50
		Ex: T19KKK10009512701	Remove and reinstall auxiliary dashboard assy	60
02	156000163AA	T19KKK60001632701	Remove and reinstall shift lever & cover assy	20
03	156000225AA	T19KKK60002252701	Remove and reinstall shift lever & cover assy	20

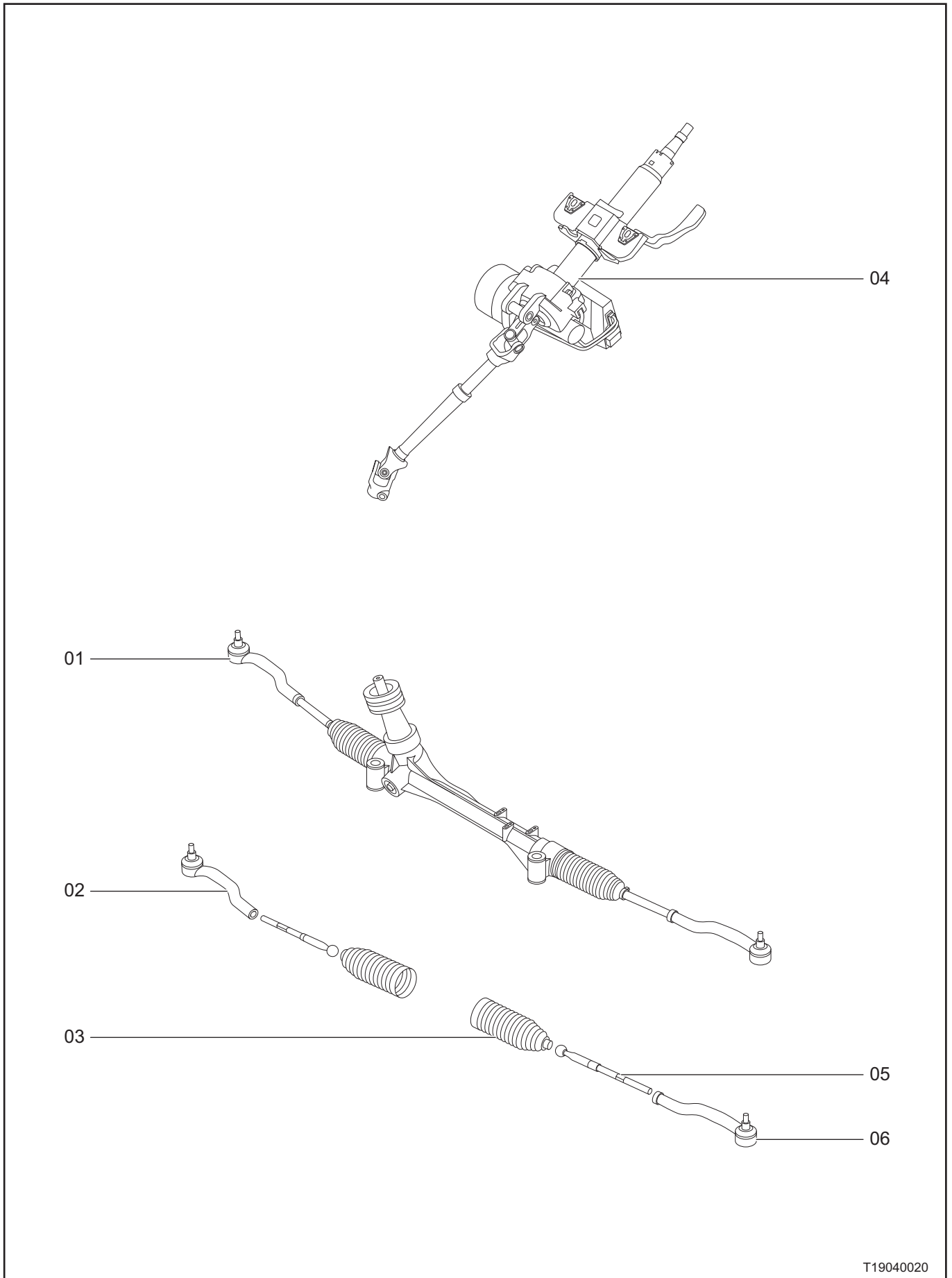
CHASSIS

Drive shaft.....	04-2
Steering system.....	04-4
Shock absorber	04-6
Suspension	04-8
Mounting system.....	04-10
Tire and wheel	04-12



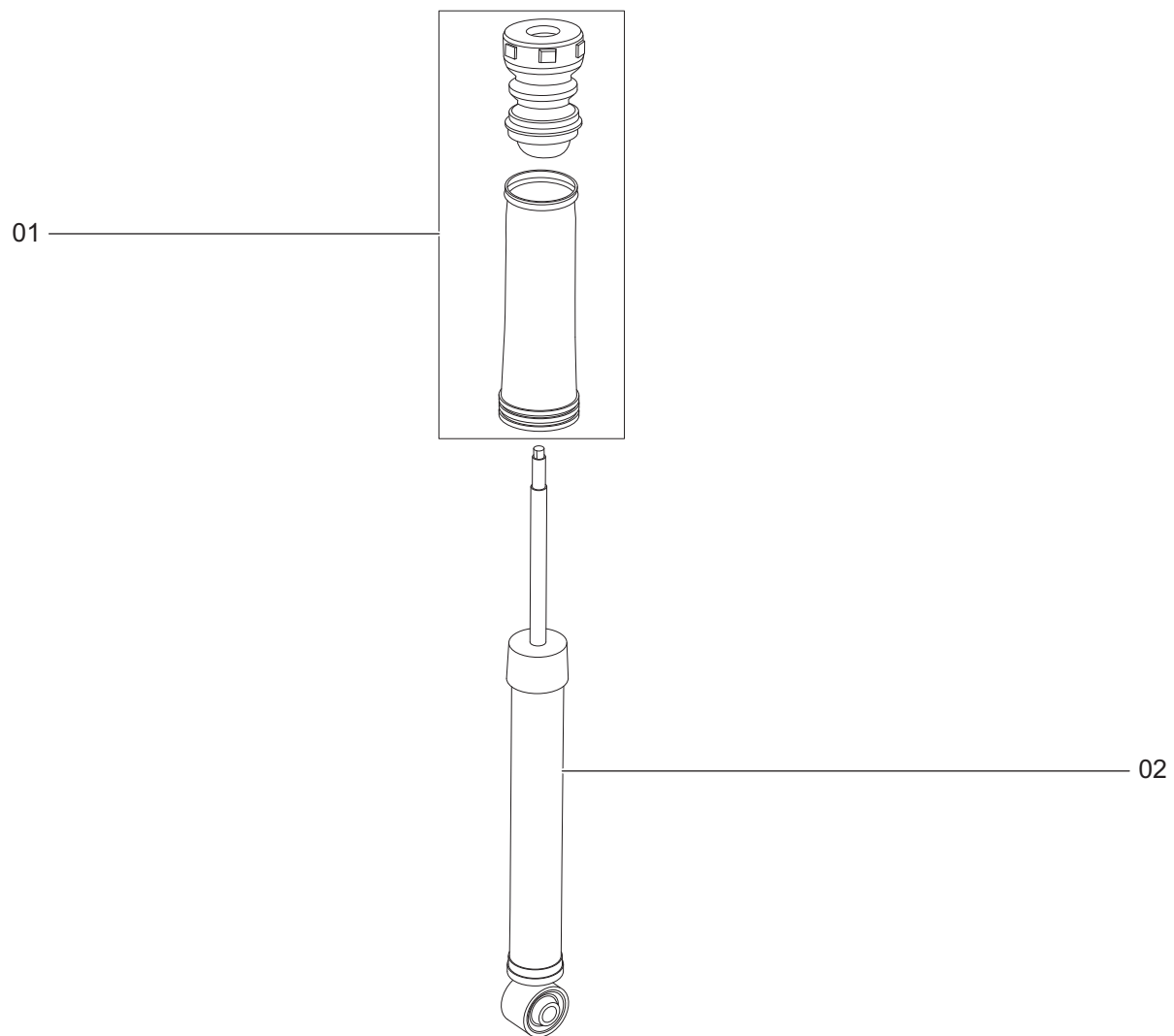
T19040010

No.	Part No.	Station No.	Station Name	Labour Time
01	154000283AA	T19KKK40002832701	Remove and reinstall FR drive shaft assy RH	80
02	154000285AA	T19KKK40002852701	Remove and reinstall FR drive shaft assy RH	80
03	154000282AA	T19KKK40002822701	Remove and reinstall FR drive shaft assy LH	80
04	154000284AA	T19KKK40002842701	Remove and reinstall FR drive shaft assy LH	80



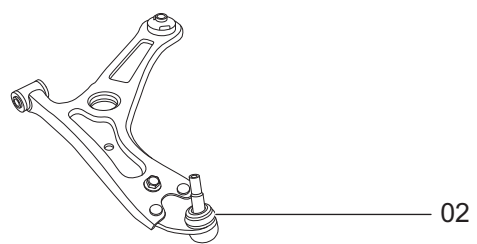
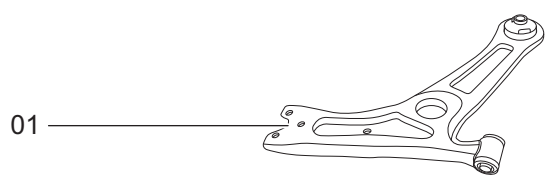
T19040020

No.	Part No.	Station No.	Station Name	Labour Time
01	201000094AA	T19KKK10000942751	Remove and reinstall mechanical steering gear with tie rod assy	130
		Ex: T19KKK10000001200	Four-wheel alignment	180
02	201000128AA	T19KKK10001282751	Remove and reinstall OTR ball pin assy LH	30
		Ex: T19KKK10000001200	Four-wheel alignment	180
03	201000126AA	T19KKK10001262751	Remove and reinstall tie rod boot LH	10
		Ex: T19KKK10001282751	Remove and reinstall OTR ball pin assy LH	30
		Ex: T19KKK10000001200	Four-wheel alignment	180
		T19KKK10001262761	Remove and reinstall tie rod boot RH	10
		Ex: T19KKK10001292751	Remove and reinstall OTR ball pin assy RH	30
		Ex: T19KKK10000001200	Four-wheel alignment	180
04	201000096AA	T19KKK10000962751	Remove and reinstall power steering column with intermediate shaft assy	80
		Ex: T19KKK40001432751	Remove and reinstall steering wheel assy	30
		Ex: T19KKK70001842701	Remove and reinstall driver airbag assy	20
05	201000125AA	T19KKK10001252751	Remove and reinstall INR tie rod assy LH	20
		Ex: T19KKK10001262751	Remove and reinstall tie rod boot LH	10
		Ex: T19KKK10001282751	Remove and reinstall OTR ball pin assy LH	30
		Ex: T19KKK10000001200	Four-wheel alignment	180
		T19KKK10001252761	Remove and reinstall INR tie rod assy RH	20
		Ex: T19KKK10001262761	Remove and reinstall tie rod boot RH	10
		Ex: T19KKK10001292751	Remove and reinstall OTR ball pin assy RH	30
Ex: T19KKK10000001200	Four-wheel alignment	180		
06	201000129AA	T19KKK10001292751	Remove and reinstall OTR ball pin assy RH	30
		Ex: T19KKK10000001200	Four-wheel alignment	180



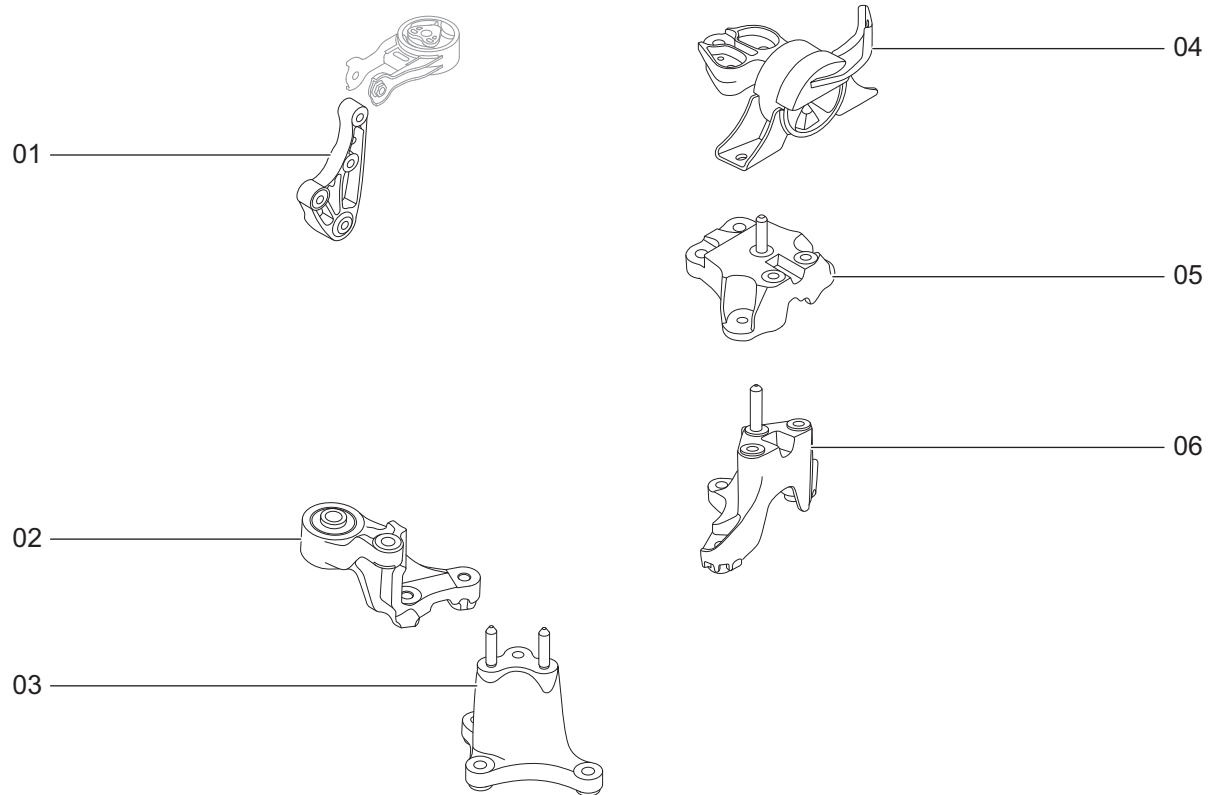
T19040030

No.	Part No.	Station No.	Station Name	Labour Time
01	T19-2911030	T19KKK29110302751	Remove and reinstall RR bumper block with dust cover assy LH	20
		Ex: T19KKK20002652701	Remove and reinstall RR shock absorber assy LH	60
		T19KKK29110302761	Remove and reinstall RR bumper block with dust cover assy RH	20
		Ex: T19KKK20002652711	Remove and reinstall RR shock absorber assy RH	60
02	202000265AA	T19KKK20002652701	Remove and reinstall RR shock absorber assy LH	60
		T19KKK20002652711	Remove and reinstall RR shock absorber assy RH	60



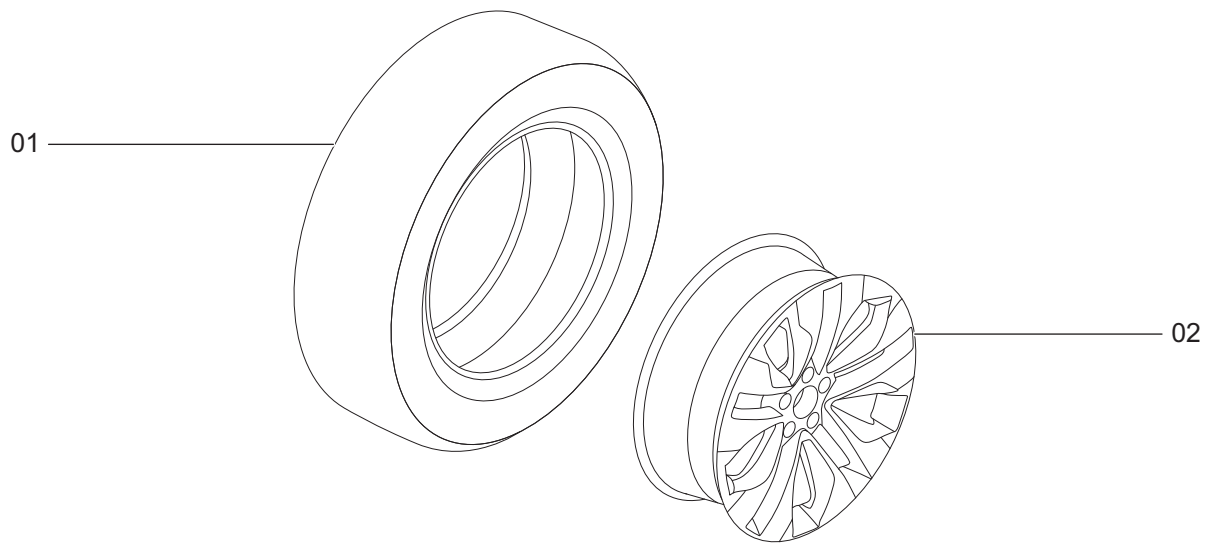
T19040040

No.	Part No.	Station No.	Station Name	Labour Time
01	202000471AA	T19KKK20004712751	Remove and reinstall FR control arm assy RH	50
		Ex: T19KKK10000001200	Four-wheel alignment	180
02	202000470AA	T19KKK20004702751	Remove and reinstall FR control arm assy LH	50
		Ex: T19KKK10000001200	Four-wheel alignment	180
03	T19-6GN3502080PB	T19KKK35020802751	Remove and reinstall RR brake pad (for two wheels)	40
		Ex: T19KKK30001032702	Remove and reinstall 2 tire assy	30



T19040050

No.	Part No.	Station No.	Station Name	Labour Time
01	206000332AA	T19KKK60003322701	Remove and reinstall Upper mounting cushion assembly rear	40
02	206000403AA	T19KKK60004032701	Remove and reinstall Upper mounting cushion assembly rear	40
03	206000401AA	T19KKK60004012751	Remove and reinstall LH mounting bracket assy	20
		Ex: T19KKK60003302751	Remove and reinstall LH mounting cushion assy	40
		Ex: T19KKK37030112751	Remove and reinstall battery tray	30
		Ex: T19KKK70001972701	Remove and reinstall battery	20
04	206000330AA	T19KKK60003302751	Remove and reinstall LH mounting cushion assy	40
		Ex: T19KKK37030112751	Remove and reinstall battery tray	30
		Ex: T19KKK70001972701	Remove and reinstall battery	20
05	206000334AA	T19KKK60003342751	Remove and reinstall LH mounting bracket assy	20
		Ex: T19KKK60003302751	Remove and reinstall LH mounting cushion assy	40
		Ex: T19KKK37030112751	Remove and reinstall battery tray	30
		Ex: T19KKK70001972701	Remove and reinstall battery	20
06	206000331AA	T19KKK60003312751	Remove and reinstall LH mounting bracket assy	20
		Ex: T19KKK60003302751	Remove and reinstall LH mounting cushion assy	40
		Ex: T19KKK37030112751	Remove and reinstall battery tray	30
		Ex: T19KKK70001972701	Remove and reinstall battery	20

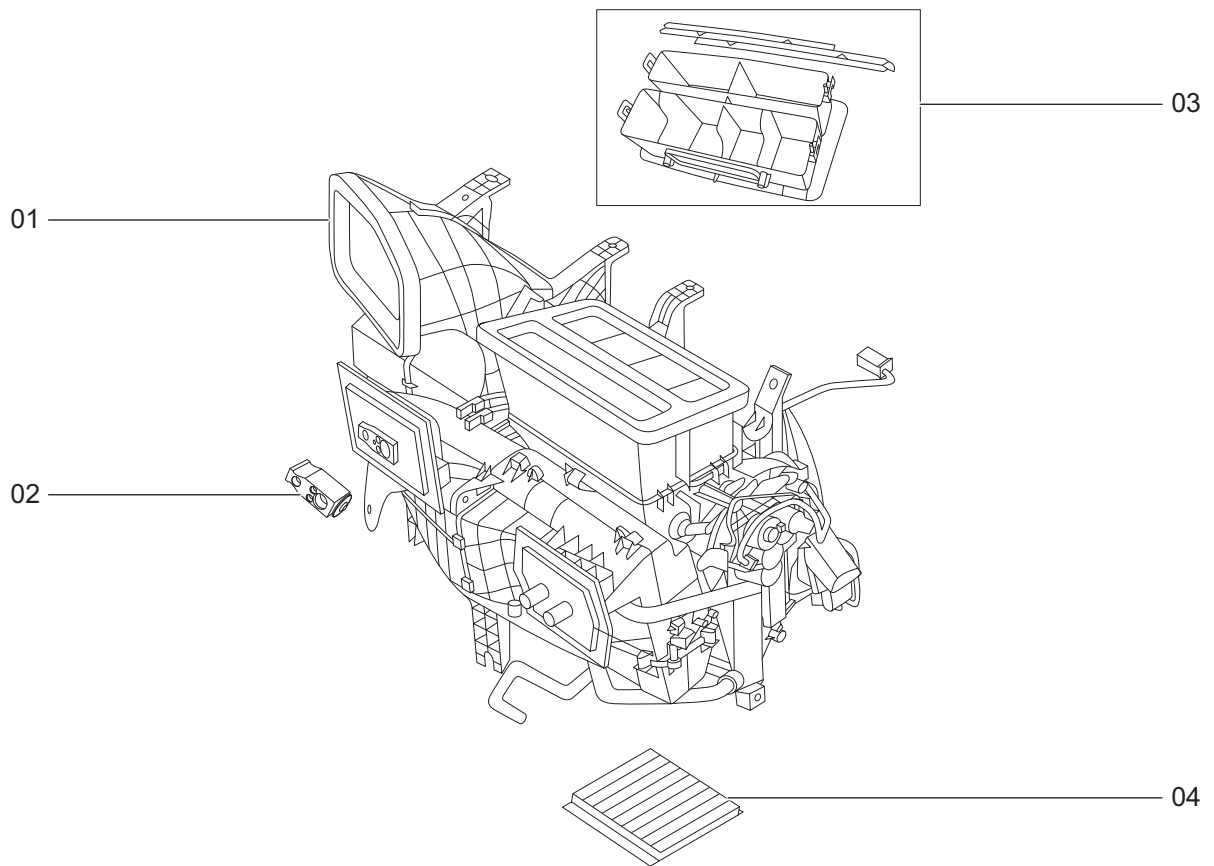


T19040060

No.	Part No.	Station No.	Station Name	Labour Time
01	203000103AA	T19KKK30001032701	Remove and reinstall 1 tire assy	20
		T19KKK30001032702	Remove and reinstall 2 tire assy	30
		T19KKK30001032703	Remove and reinstall 3 tire assy	40
		T19KKK30001032704	Remove and reinstall 4 tire assy	50
02	203000100AA	T19KKK30001002701	Remove and reinstall 1 aluminum wheel	20
		T19KKK30001002702	Remove and reinstall 2 aluminum wheel	30
		T19KKK30001002703	Remove and reinstall 3 aluminum wheel	40
		T19KKK30001002704	Remove and reinstall 4 aluminum wheel	50

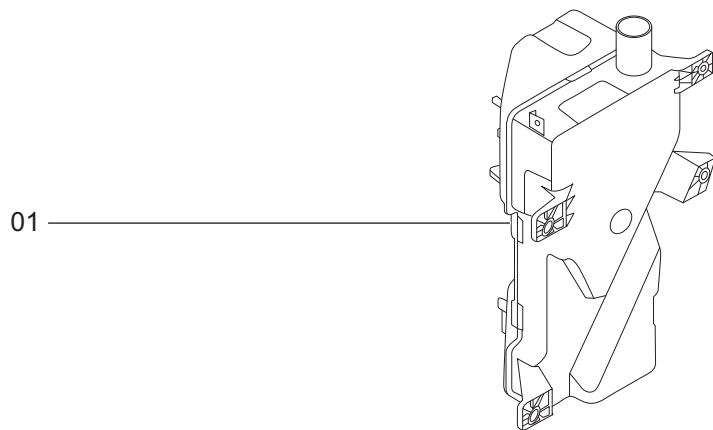
ELECTRICAL

A/C system.....	05-2
Washer system	05-4
Speaker	05-6
Parking assist system.....	05-8
Wire harness.....	05-10
Power supply system.....	05-14
Vehicle switches.....	05-16



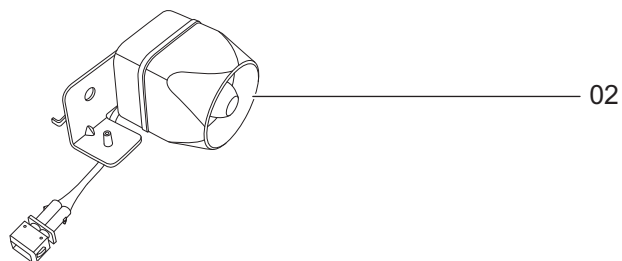
T19050010

No.	Part No.	Station No.	Station Name	Labour Time
01	301001135AA	T19KKK10011352751	Remove and reinstall electronic HVAC assy	30
		Ex: T19KKK47020112201	Drain and fill refrigerant R134a	50
		Ex: T19KKK10008232751	Remove and reinstall dashboard crossbeam assy	60
		Ex: T19KKK10003652751	Remove and reinstall dashboard assy	200
		Ex: T19KKK10009512701	Remove and reinstall auxiliary dashboard assy	60
		T19KKK10011353651	Disassemble and reassemble electronic HVAC assy	30
		Ex: T19KKK10011352751	Remove and reinstall electronic HVAC assy	30
		Ex: T19KKK47020112201	Drain and fill refrigerant R134a	50
		Ex: T19KKK10008232751	Remove and reinstall dashboard crossbeam assy	60
		Ex: T19KKK10003652751	Remove and reinstall dashboard assy	200
		Ex: T19KKK10009512701	Remove and reinstall auxiliary dashboard assy	60
02	T15-8107170	T19KKK81071702751	Remove and reinstall expansion valve	40
		Ex: T19KKK47020112201	Drain and fill refrigerant R134a	50
03	T21-8107080	T19KKK81070802751	Remove and reinstall air duct assy	20
		Ex: T19KKK10011352751	Remove and reinstall electronic HVAC assy	30
		Ex: T19KKK47020112201	Drain and fill refrigerant R134a	50
		Ex: T19KKK10008232751	Remove and reinstall dashboard crossbeam assy	60
		Ex: T19KKK10003652751	Remove and reinstall dashboard assy	200
		Ex: T19KKK10009512701	Remove and reinstall auxiliary dashboard assy	60
04	301001157AA	T19KKK10011572751	Remove and reinstall A/C filter element	10
		Ex: T19KKK53060502701	Remove and reinstall glove box assy	20



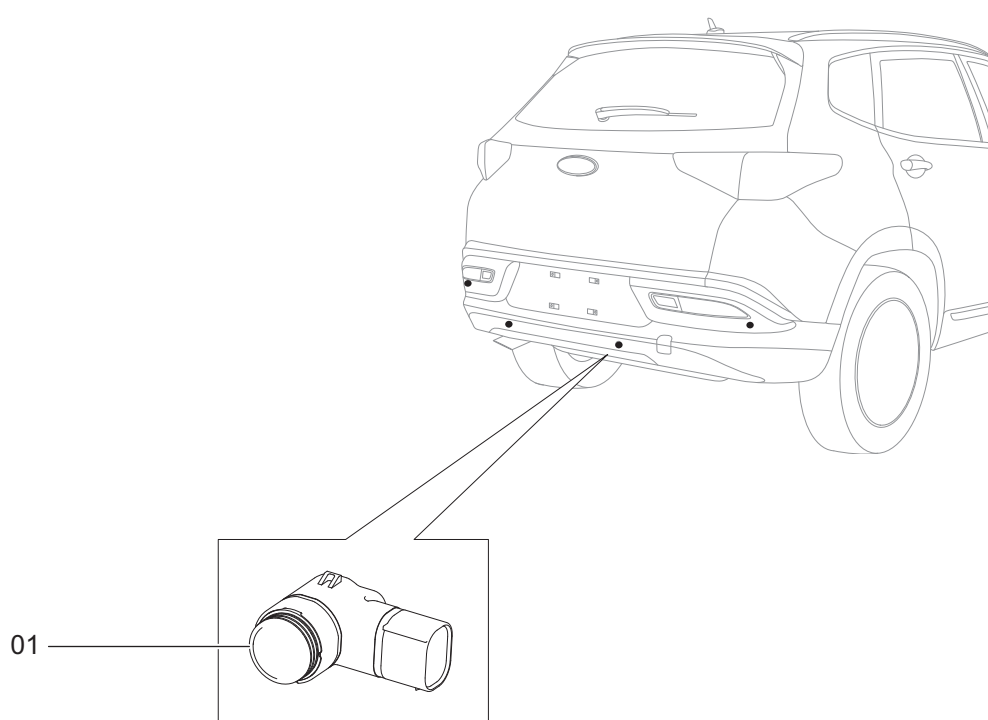
T19050020

No.	Part No.	Station No.	Station Name	Labour Time
01	607000093AA	T19KKK70000932751	Remove and reinstall washer reservoir assy	20
		Ex: T19KKK20004832701	Remove and reinstall FR bumper UPR body - primer	50



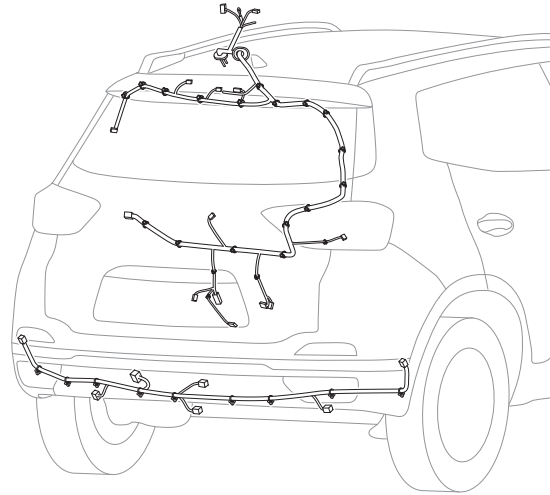
T19050030

No.	Part No.	Station No.	Station Name	Labour Time
01	J52-7909013	T19KKK79090132751	Remove and reinstall MD tone speaker	10
		Ex: T19KKK53060402701	Remove and reinstall LWR protector assy LH	30
02	803000052AA	T19KKK30000522751	Remove and reinstall immobilize anti-theft horn	10
		Ex: T19KKK20004832701	Remove and reinstall FR bumper UPR body - primer	50

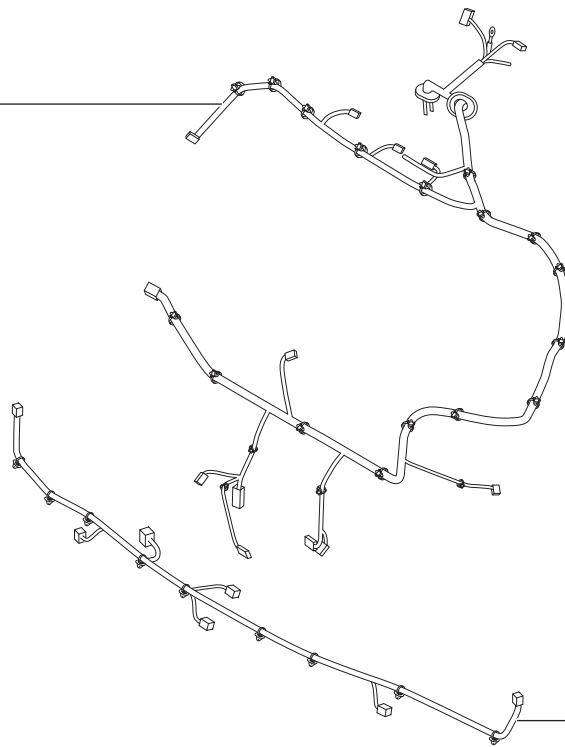


T19050040

No.	Part No.	Station No.	Station Name	Labour Time
01	704000156AAACE	T19KKK40001562751	Remove and reinstall black sensor body	10
		Ex: T19KKK20004832701	Remove and reinstall FR bumper UPR body - primer	50



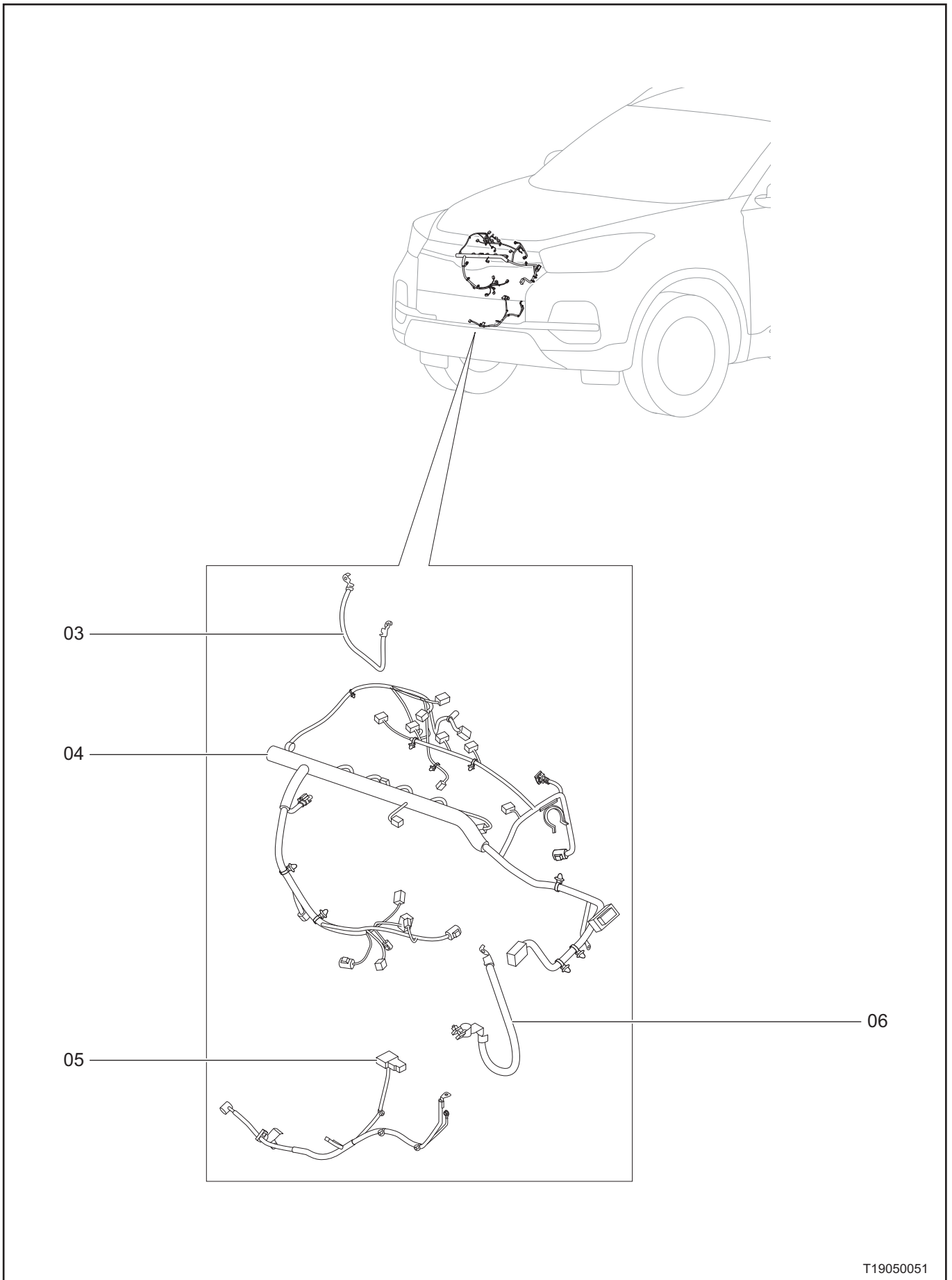
01



02

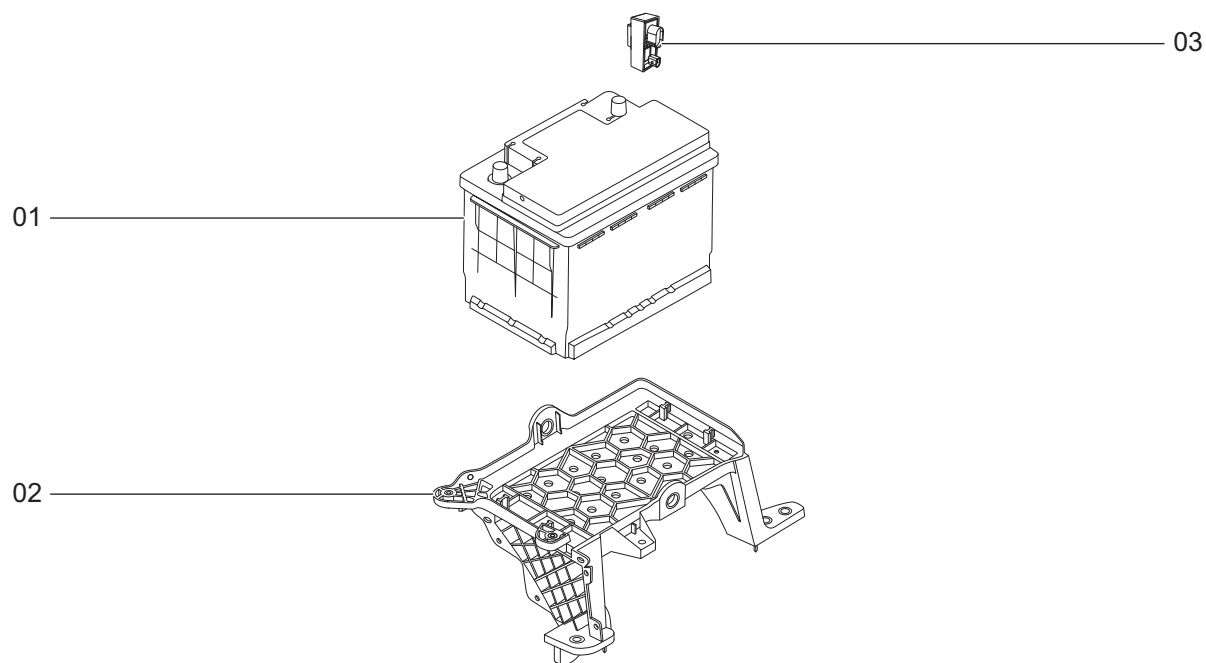
T19050050

No.	Part No.	Station No.	Station Name	Labour Time
01	806000510AA	T19KKK60005102701	Remove and reinstall back door wire harness	150
02	806001833AA	T19KKK60018332751	Remove and reinstall RR bumper wire harness assy	20
		Ex: T19KKK20009262701	Remove and reinstall RR bumper LWR body	50



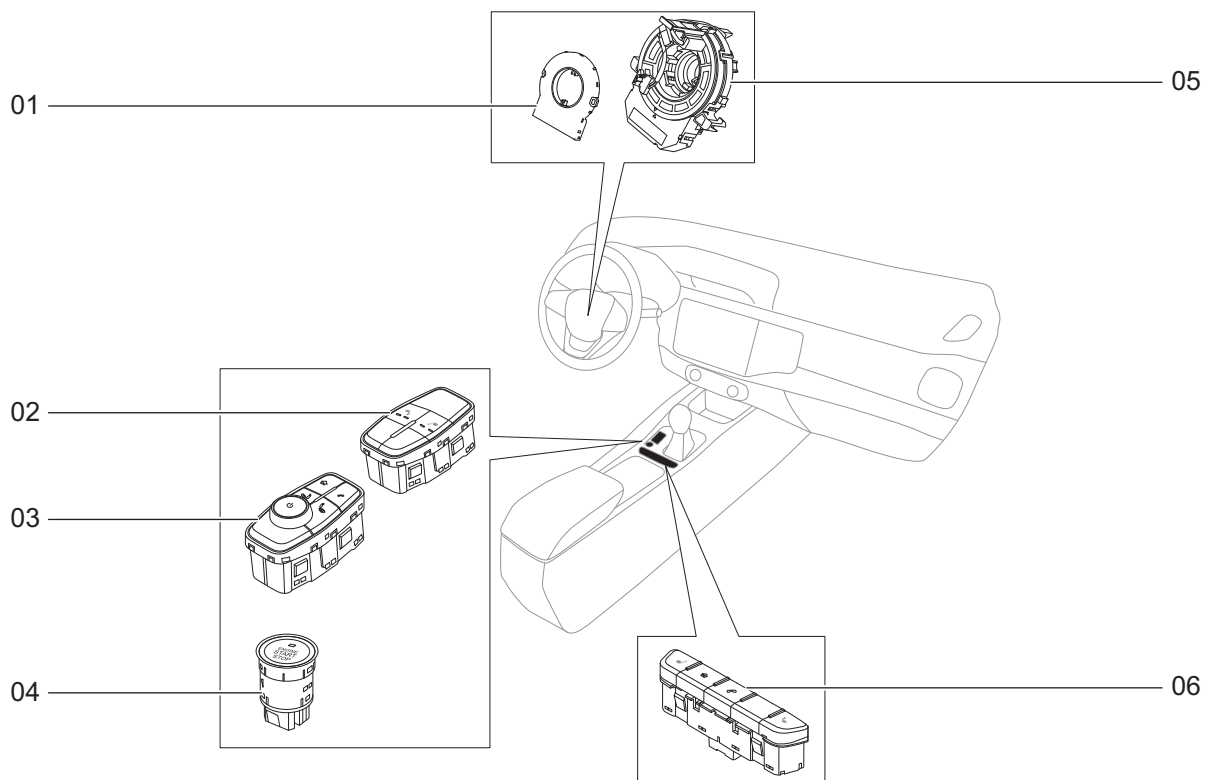
T19050051

No.	Part No.	Station No.	Station Name	Labour Time
03	806003415AA	T19KKK60034152701	Remove and reinstall ground wire harness assy	30
04	806000809AA	T19KKK60008092701	Remove and reinstall engine electronic wire harness assy	100
05	806001552AA	T19KKK60015522701	Remove and reinstall battery positive wire harness assy	30
	806002204AA	T19KKK60022042701	Remove and reinstall battery positive wire harness assy	30
06	806001969AA	T19KKK60019692701	Remove and reinstall battery negative wire harness assy	30



T19050060

No.	Part No.	Station No.	Station Name	Labour Time
01	807000197AA	T19KKK70001972701	Remove and reinstall battery	20
02	T15-3703011	T19KKK37030112751	Remove and reinstall battery tray	30
		Ex: T19KKK70001972701	Remove and reinstall battery	20
03	A21-3600081	T19KKK36000812701	Remove and reinstall fan relay box	30

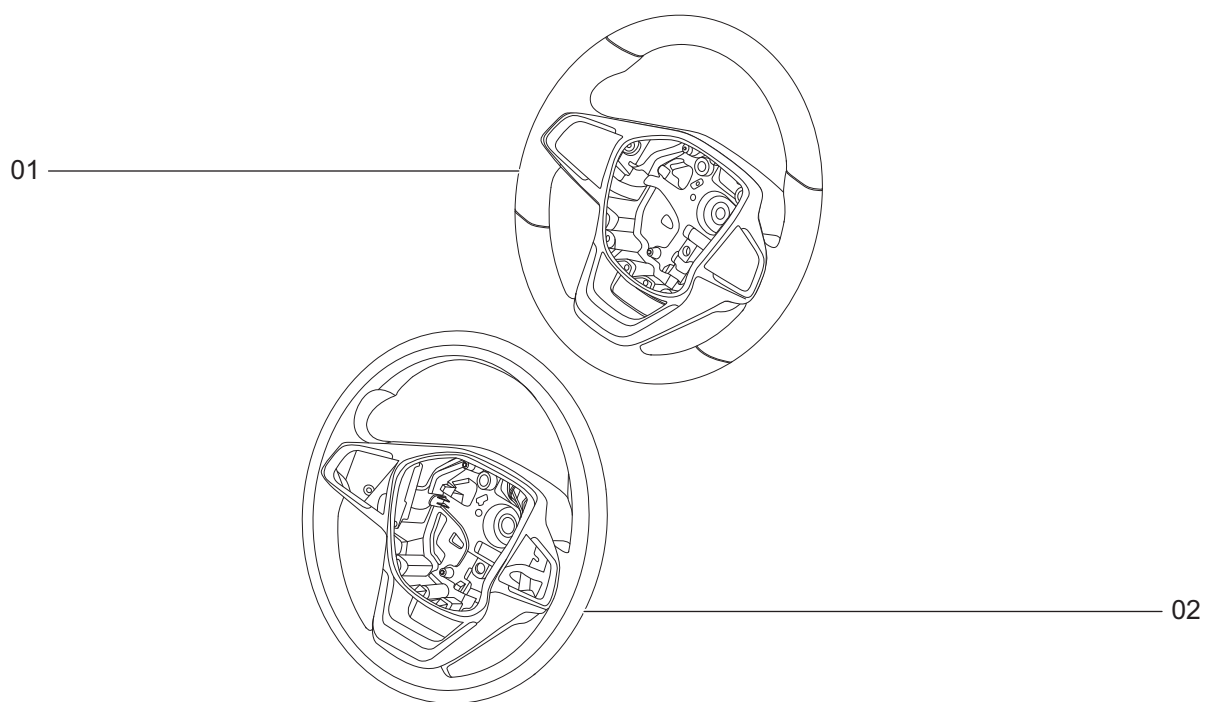


T19050070

No.	Part No.	Station No.	Station Name	Labour Time
01	808000317AA	T19KKK80003172751	Remove and reinstall angle sensor	10
		Ex: T19KKK80002002751	Remove and reinstall spiral cable	30
		Ex: T19KKK53064402701	Remove and reinstall combination switch LWR cover assy	20
02	808000329AA	T19KKK80003292751	Remove and reinstall auxiliary dashboard switch assy	30
		Ex: T19KKK10003712701	Remove and reinstall auxiliary dashboard UPR trim panel assy	30
03	808000538AA	T19KKK80005382751	Remove and reinstall auxiliary dashboard switch assy	30
		Ex: T19KKK10003712701	Remove and reinstall auxiliary dashboard UPR trim panel assy	30
04	808000215AA	T19KKK80002152701	Remove and reinstall PEPS button assy	50
05	808000200AA	T19KKK80002002751	Remove and reinstall spiral cable	30
		Ex: T19KKK53064402701	Remove and reinstall combination switch LWR cover assy	20
06	808000539AA	T19KKK80005392701	Remove and reinstall auxiliary dashboard switch assy	50

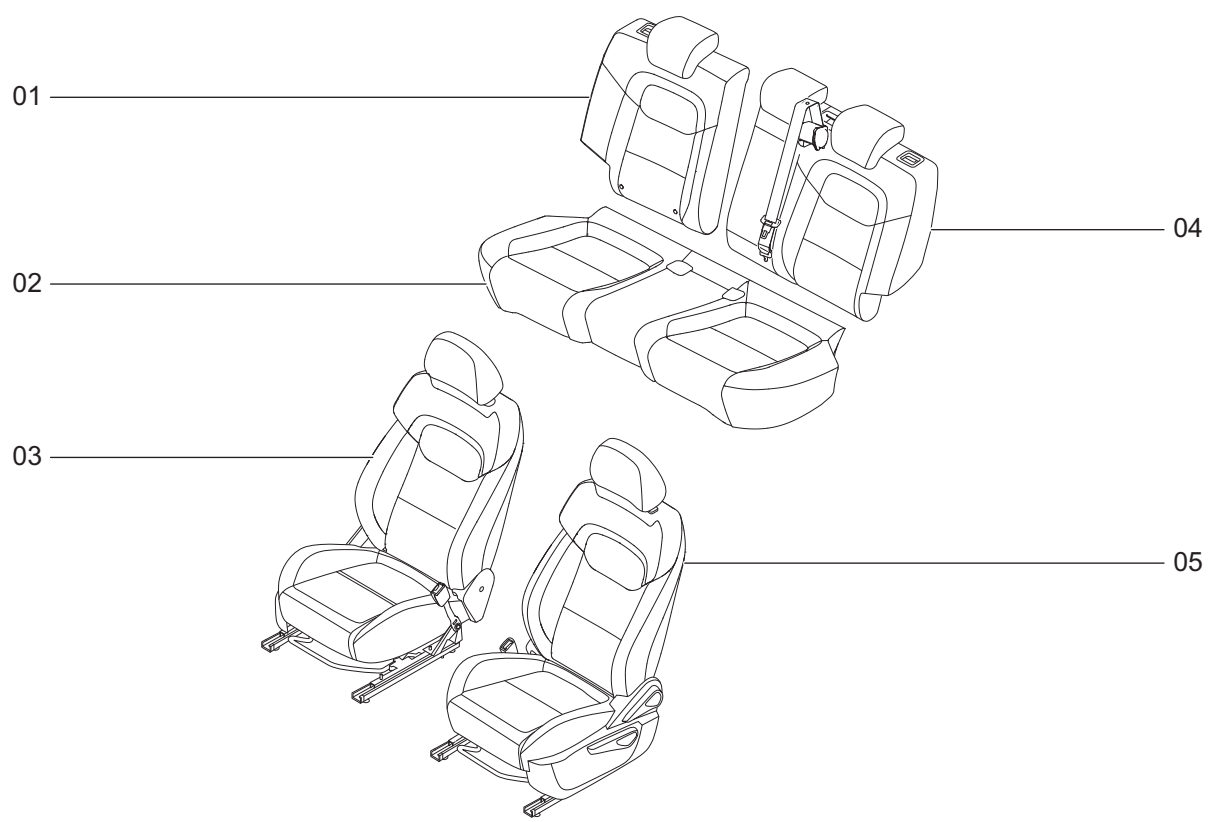
INTERIOR

Steering wheel	06-2
Seat.....	06-4
Ceiling	06-6
Door protector	06-8
Dashboard, auxiliary dashboard.....	06-10



T19060010

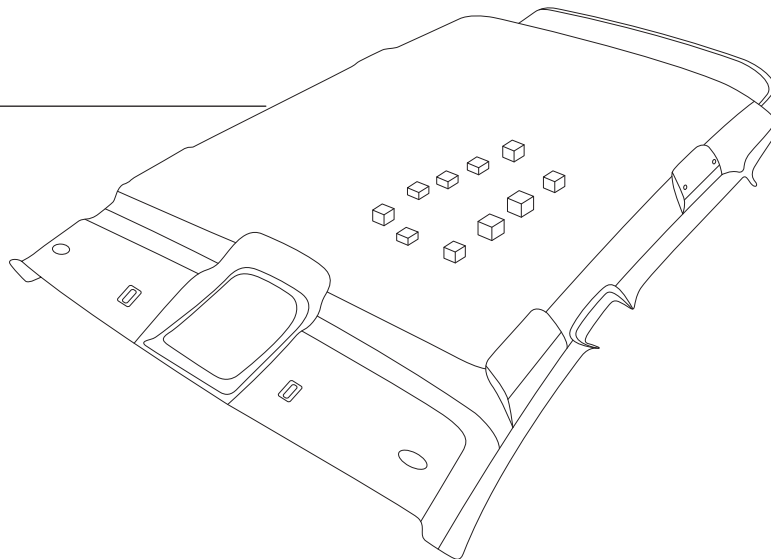
No.	Part No.	Station No.	Station Name	Labour Time
01	404000143AA	T19KKK40001432751	Remove and reinstall steering wheel assy	30
		Ex: T19KKK70001842701	Remove and reinstall driver airbag assy	20
02	404000084AA	T19KKK40000842751	Remove and reinstall Steering wheel body	30
		Ex: T19KKK70001842701	Remove and reinstall driver airbag assy	20



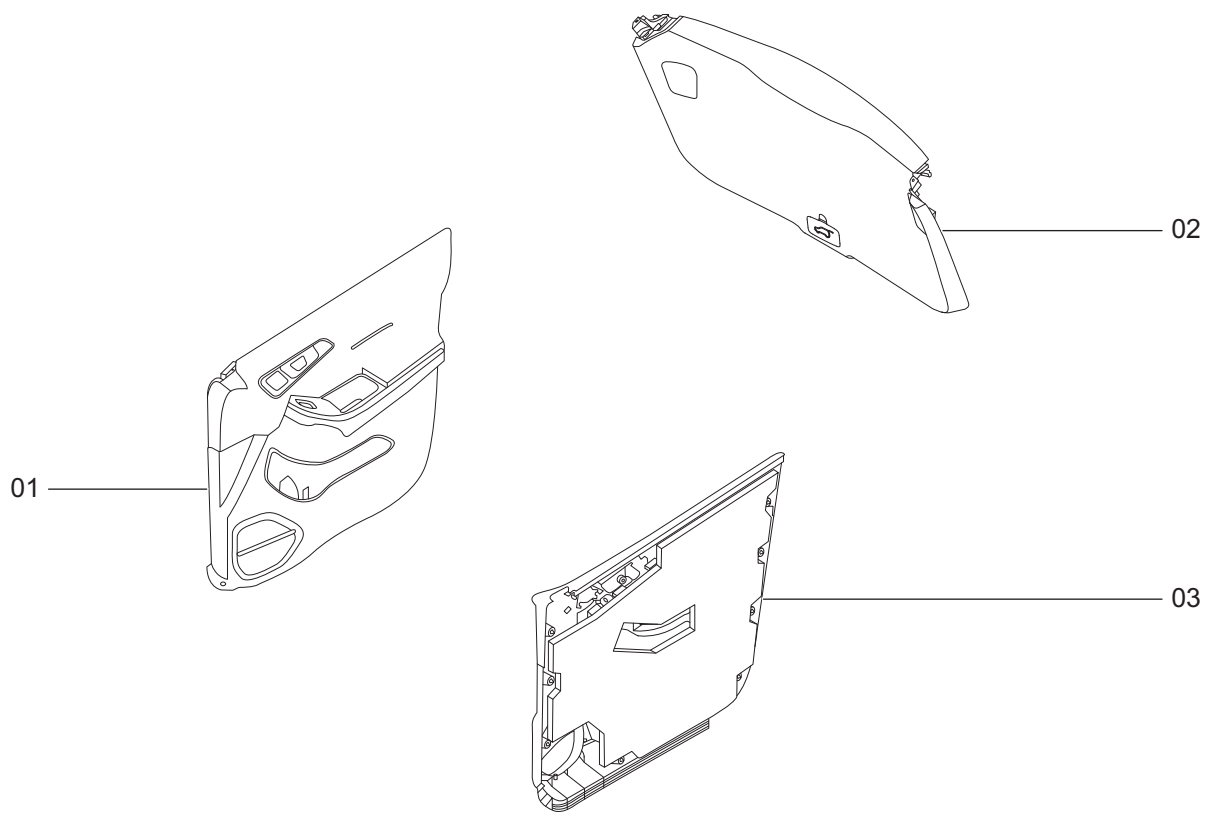
T19060020

No.	Part No.	Station No.	Station Name	Labour Time
01	T15-7005030DA	T19KKK70050302701	Remove and reinstall RR seatback assy RH	30
02	T15-7003010DB	T19KKK70030102701	Remove and reinstall RR seat cushion assy	20
03	402003302AA	T19KKK20033022701	Remove and reinstall FR seat belt buckle assy RH	30
	402002993AA	T19KKK20029932701	Remove and reinstall FR seat belt buckle assy RH	30
04	T15-7005P21AA	T19KKK7005P212701	Remove and reinstall RR seat belt buckle assy LH	80
	J68-7005P01AA	T19KKK7005P012701	Remove and reinstall RR seat belt buckle assy LH	80
05	402003301AA	T19KKK20033012701	Remove and reinstall FR seat belt buckle assy LH	30

01

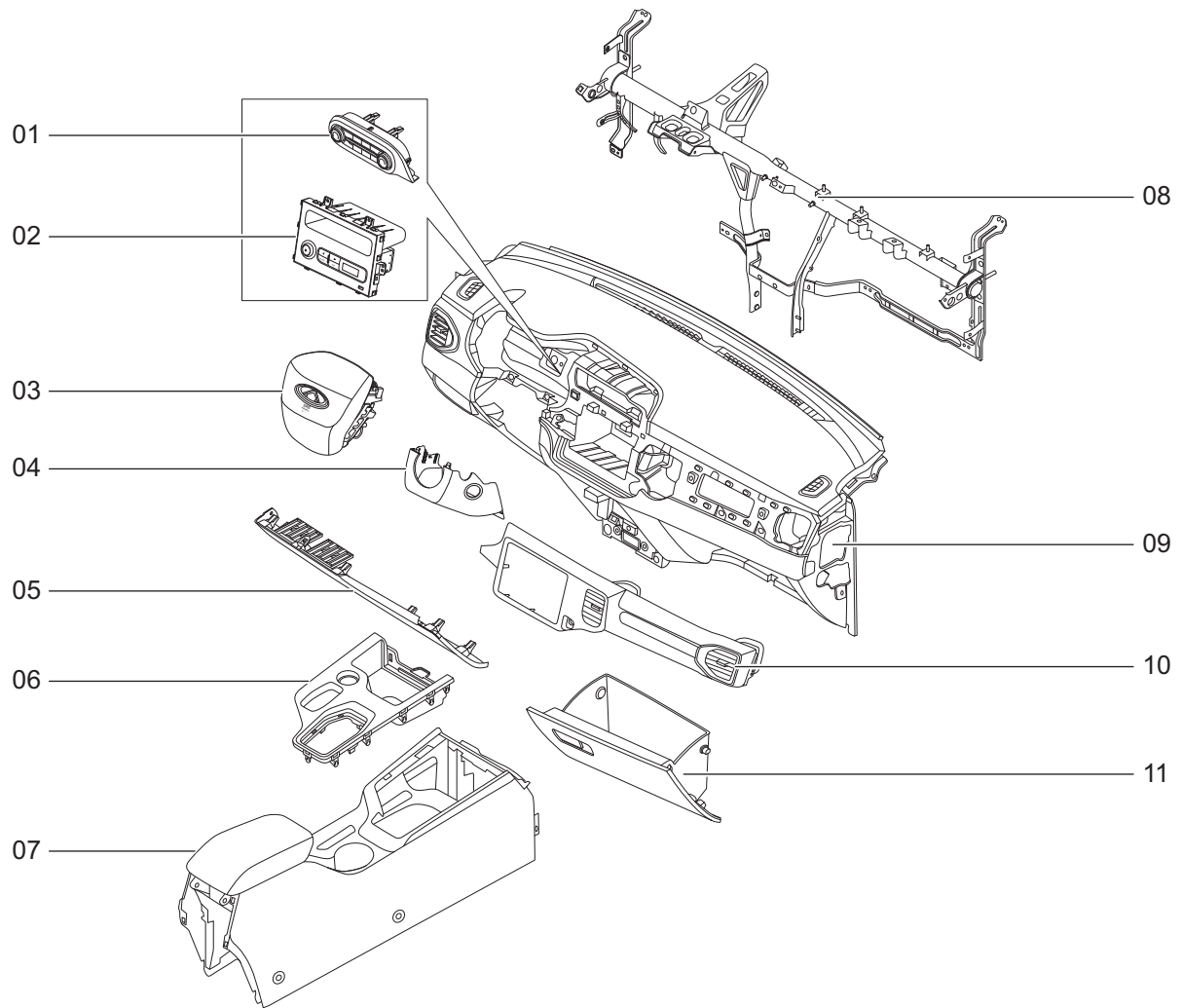


T19060030



T19060040

No.	Part No.	Station No.	Station Name	Labour Time
01	403000834AA	T19KKK30008342701	Remove and reinstall FR door protector assy RH	40
02	403002208AA	T19KKK30022082701	Remove and reinstall back door LWR protector assy	50
03	403000833AA	T19KKK30008332701	Remove and reinstall FR door protector assy LH	40

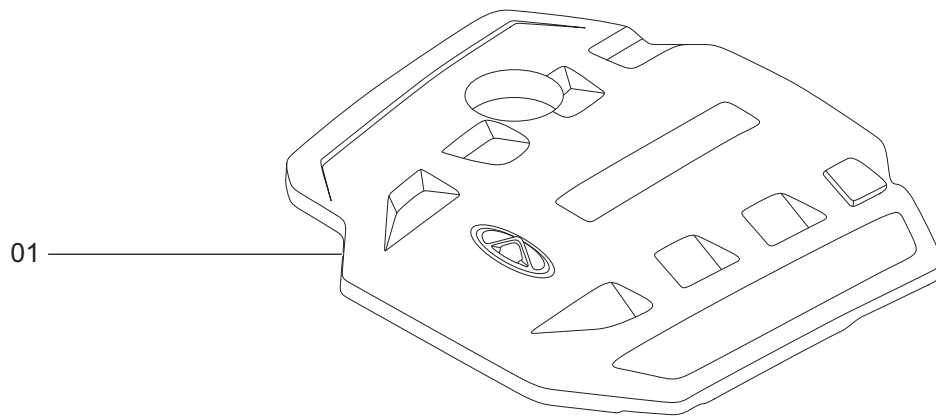


T19060050

No.	Part No.	Station No.	Station Name	Labour Time
01	J68-7913110BA	T19KKK79131102701	Remove and reinstall MD control integration panel	40
02	J68-7901011	T19KKK79010112701	Remove and reinstall no Disc CD	30
03	407000184AA	T19KKK70001842701	Remove and reinstall driver airbag assy	20
04	T15-5306440BA	T19KKK53064402701	Remove and reinstall combination switch LWR cover assy	20
05	J68-5306040	T19KKK53060402701	Remove and reinstall LWR protector assy LH	30
06	401000371AA	T19KKK10003712701	Remove and reinstall auxiliary dashboard UPR trim panel assy	30
07	401000951AA	T19KKK10009512701	Remove and reinstall auxiliary dashboard assy	60
08	401000823AA	T19KKK10008232751	Remove and reinstall dashboard crossbeam assy	60
		Ex: T19KKK10003652751	Remove and reinstall dashboard assy	200
		Ex: T19KKK10009512701	Remove and reinstall auxiliary dashboard assy	60
09	401000365AA	T19KKK10003652751	Remove and reinstall dashboard assy	200
		Ex: T19KKK10009512701	Remove and reinstall auxiliary dashboard assy	60
10	401000367AA	T19KKK10003672751	Remove and reinstall MD control panel assy	20
		Ex: T19KKK79010112701	Remove and reinstall no Disc CD	30
11	J68-5306050	T19KKK53060502701	Remove and reinstall glove box assy	20

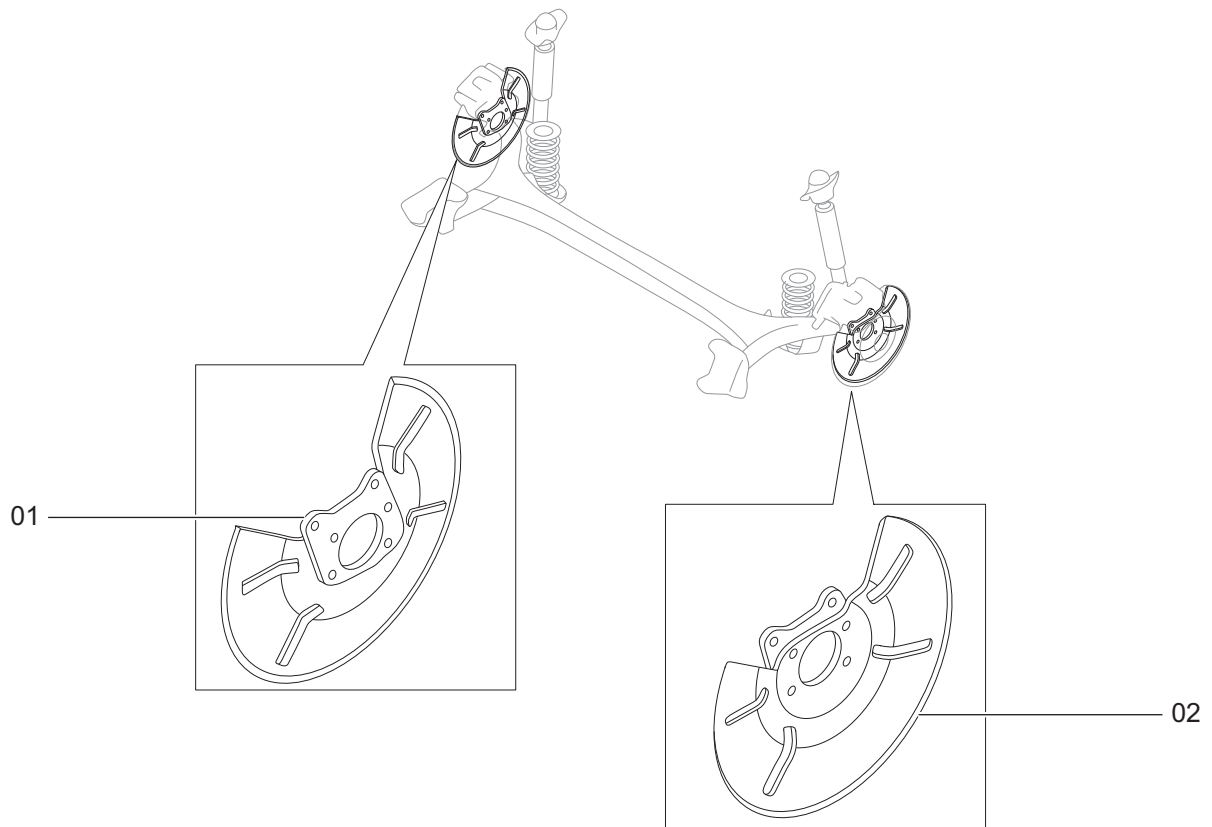
EXTERIOR

Engine trim cover	07-2
Fender apron	07-4
Bumper.....	07-6
Name plate system.....	07-8
Sound insulator	07-10
Rear view mirror	07-12



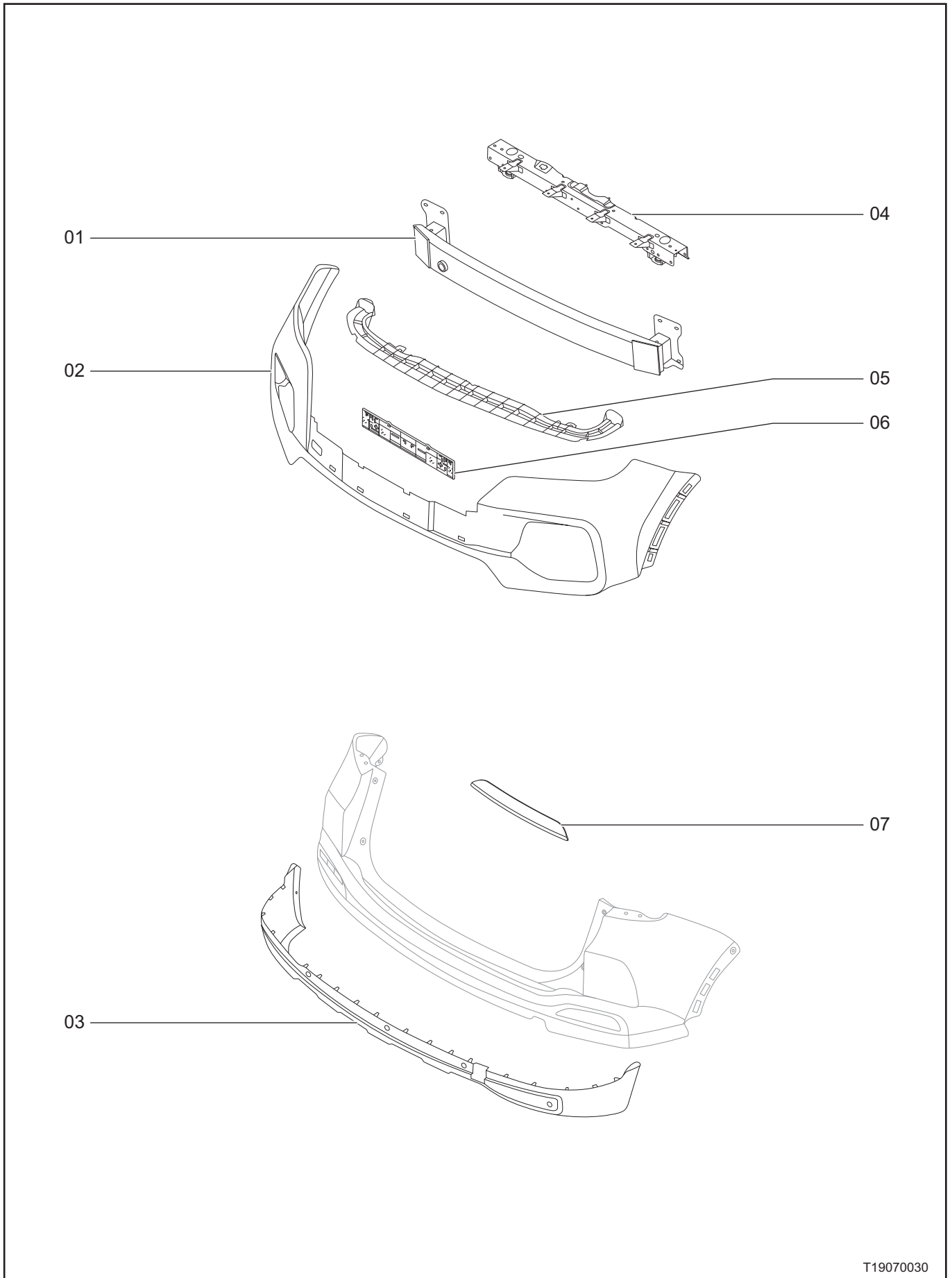
T19070010

No.	Part No.	Station No.	Station Name	Labour Time
01	J60-1031110AC	T19KKK10311102701	Remove and reinstall engine trim cover assy	10



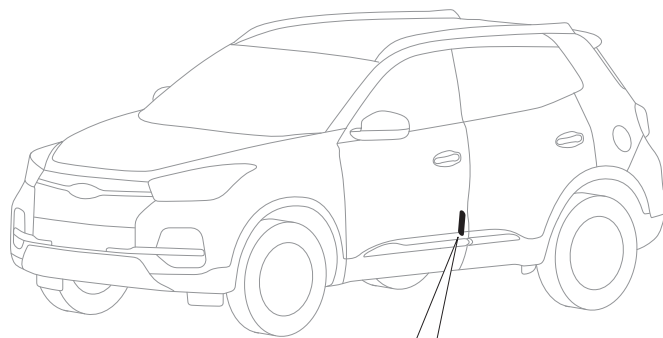
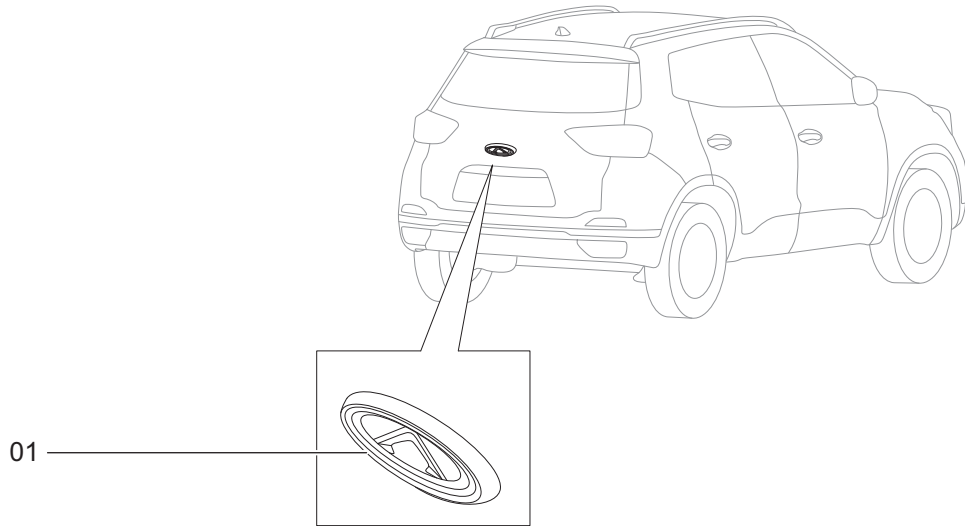
T19070020

No.	Part No.	Station No.	Station Name	Labour Time
01	204001335AA	T19KKK40013352701	Remove and reinstall RR fender apron RH assy	20
02	204001334AA	T19KKK40013342701	Remove and reinstall RR fender apron LH assy	20



T19070030

No.	Part No.	Station No.	Station Name	Labour Time
01	501001549AA	T19KKK10015492751	Remove and reinstall FR anti-collision crossbeam assy	30
		Ex: T19KKK20004832701	Remove and reinstall FR bumper UPR body - primer	50
02	602000483AADQJ	T19KKK20004832701	Remove and reinstall FR bumper UPR body - primer	50
03	602000926AA	T19KKK20009262701	Remove and reinstall RR bumper LWR body	50
04	J68-5300510ZP-DY	T19KKK53005102751	Remove and reinstall tank UPR crossbeam assy - electrophoresis	30
		Ex: T19KKK20004832701	Remove and reinstall FR bumper UPR body - primer	50
05	J68-2803560	T19KKK28035602751	Remove and reinstall FR leg protection crossmember	20
		Ex: T19KKK20004832701	Remove and reinstall FR bumper UPR body - primer	50
06	S21-2803405	T19KKK28034052701	Remove and reinstall FR license plate mounting panel	20
07	J68-5608530-DQ	T19KKK56085302751	Remove and reinstall license plate light protector assy - primer	10
		Ex: T19KKK30022082701	Remove and reinstall back door LWR protector assy	50

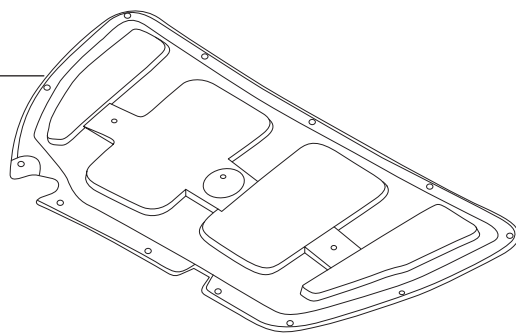


冷态时轮胎充气压力 (bar)		Cold tire inflation pressure	
	4.2		T17
210 95 R19	2.2		2.2
215 90 R19	2.2		2.2

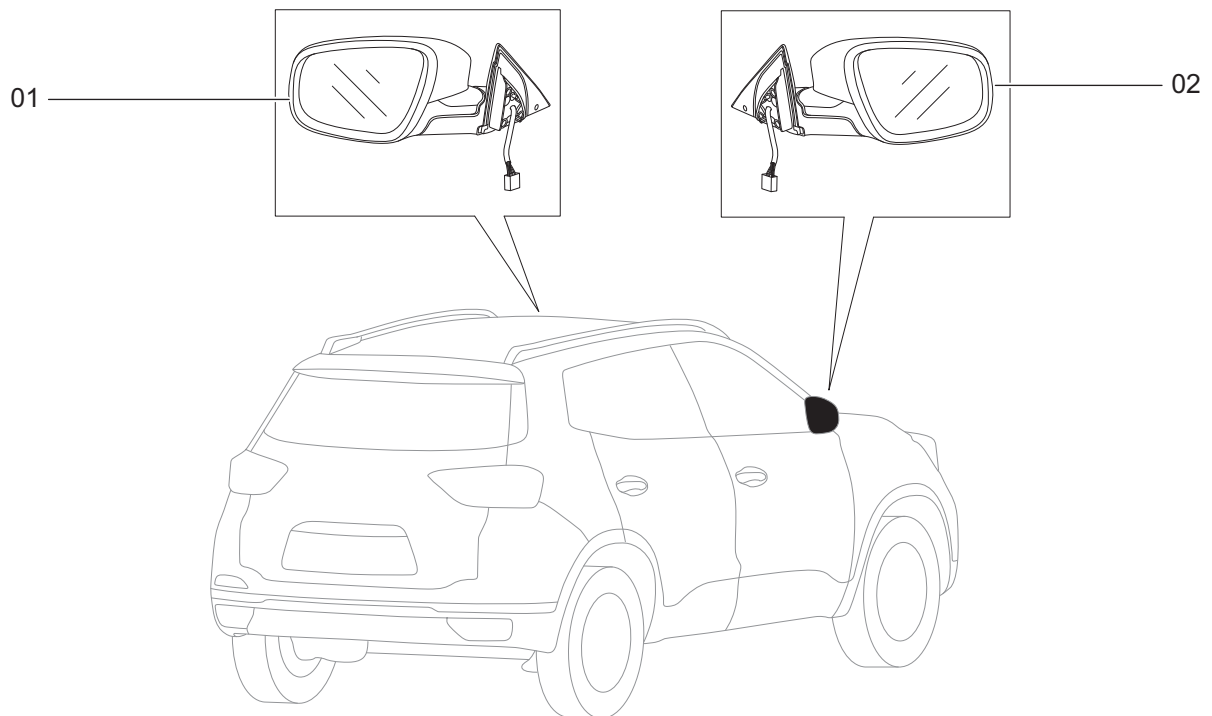
02

No.	Part No.	Station No.	Station Name	Labour Time
01	609001050AA	T19KKK90010502701	Remove and reinstall RR LOGO assy	20
02	J68-3903015	T19KKK39030152701	Remove and reinstall tire pressure label	20

01



T19070050



T19070060

No.	Part No.	Station No.	Station Name	Labour Time
01	J68-8202010BA-DQ	T19KKK82020102751	Remove and reinstall OTR RR view mirror assy LH - primer	20
		Ex: T19KKK30008332701	Remove and reinstall FR door protector assy LH	40
02	J68-8202020BA-DQ	T19KKK82020202751	Remove and reinstall OTR RR view mirror assy RH - primer	20
		Ex: T19KKK30008342701	Remove and reinstall FR door protector assy RH	40

MAINTENANCE

Maintenance.....	08-2
------------------	------

No.	Part No.	Station No.	Station Name	Labour Time
01		T19KKK10000001200	Four-wheel alignment	180
02		T19KKK10000001600	First-time maintenance	100
03		T19KKK10000001610	Every 15000 KM	120
04		T19KKK10000001620	Every 30000 KM	180
05		T19KKK10000001630	Every 5000 KM	100
06		T19KKK10000001650	Drain and fill antifreeze coolant	20
07		T19KKK10000001660	Fill antifreeze coolant	20
08		T19KKK10000001670	Drain and fill DOT4 brake fluid	50
09		T19KKK47020112201	Drain and fill refrigerant R134a	50
10		T19KKK10000001680	Apply clutch hydraulic pressure and bleed	20
11		T19KKK50000002701	Body part paint handling	100
12		T19KKK40402732701	Add window washer fluid	10
13		T19KKK20000002701	Bleed clutch	30